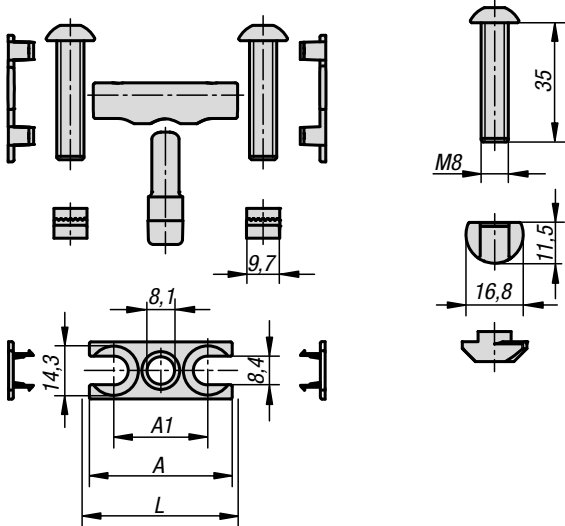


Pin connector sets

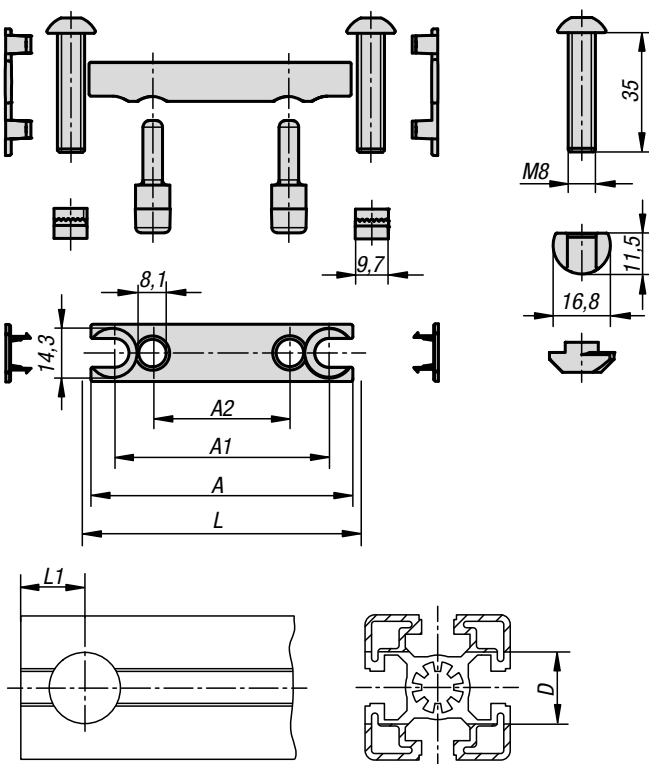
Type B



-1040 / -1045 / -1060



-1080 / -1090



Material:

Pins, screws and T-nuts steel.
Locating pin and end caps polyamide, fibreglass reinforced.

Version:

Pins, screws and T-nuts electro zinc-plated.
Locating pin and end caps black.

Sample order:

K1038.1040

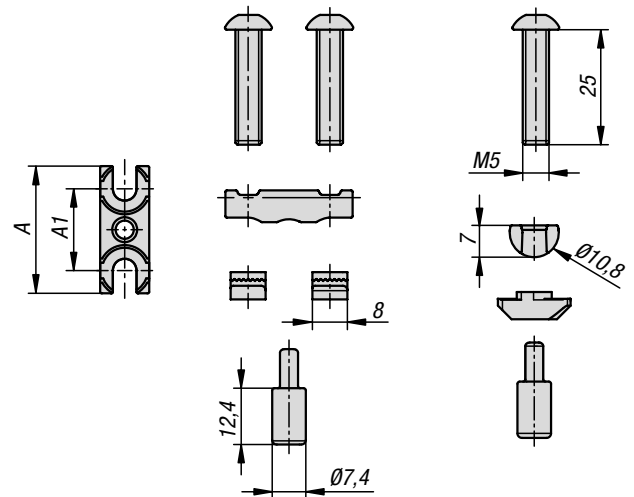
Note:

The connecting sets are used to connect two aluminium profiles at right angles. They allow free position of the profiles. Suitable for high loads and torsional forces.

Low processing workload. The connecting set requires only one Ø17 mm hole drilled in one end for installation.

The connecting set K1038.0828 requires only one Ø11 mm hole drilled in one end for installation.

-0828



KIPP Pin connector sets Type B

Order No.	Type	Slot width	A	A1	A2	D	L	L1
K1038.0828	B	8	28	18	-	11	-	18
K1038.1040	B	10	37	23	-	17	40	22,5
K1038.1045	B	10	42	28	-	17	45	22,5
K1038.1060	B	10	57	43	-	17	60	22,5
K1038.1080	B	10	77	63	40	17	80	22,5
K1038.1090	B	10	87	73	45	17	90	22,5