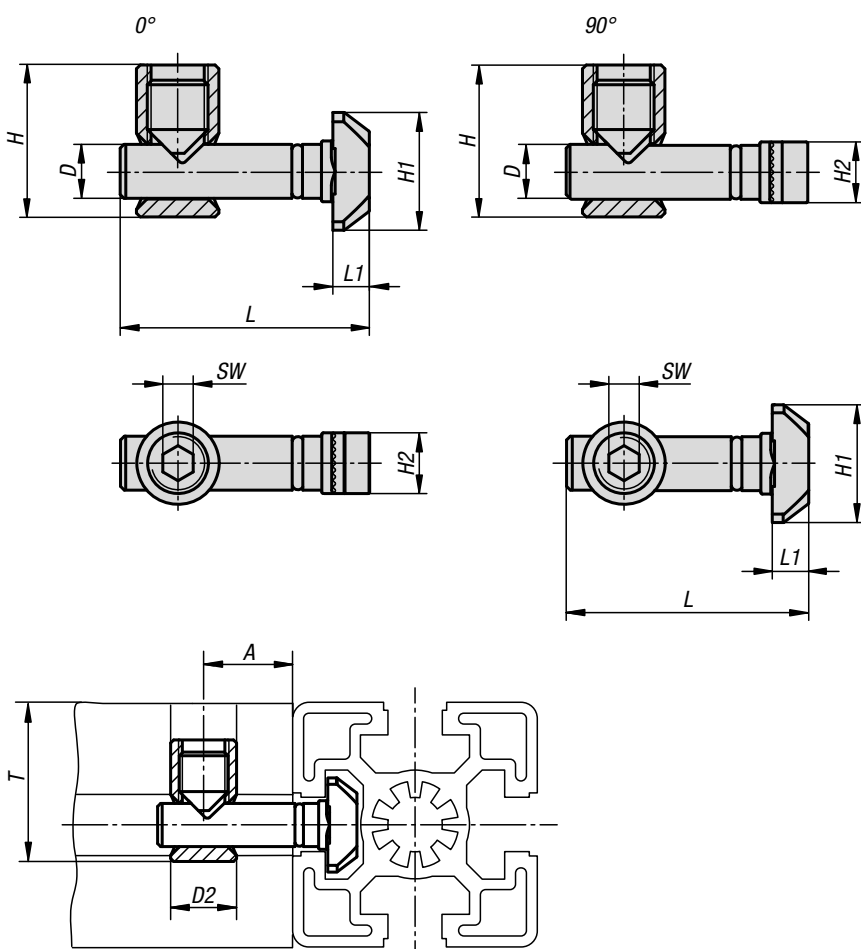


Connecting sets central

Type B



Material:
Steel.

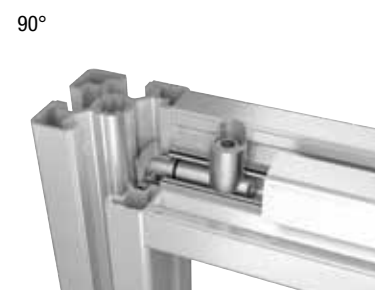
Version:
Electro zinc-plated.

Sample order:
K1034.1000

Note:
The connecting sets are used to connect two aluminium profiles at right angles. They allow free position of the profiles. The profile slots positioned at right-angles to each other remain free. Panel elements can be positioned in the profile slots without additional machining.

Due to the reduced clamping force and omitted rotation locks, these connecting sets should only be used in combination with panel elements and lightly loaded constructions.

Low workload. To assemble a hole must be drilled into one of the profiles. The D2 hole can also be drilled through.



KIPP Connecting sets central Type B

| Order No. | Type | Slot width | Version | A | D | D2 | H | H1 | H2 | L | L1 | SW | T | T | T | T | T |
|------------|------|------------|---------|------|-----|----|----|------|----|------|-----|----|----------------|----------------|----------------|----------------|----------------|
| | | | | | | | | | | | | | for profile 30 | for profile 40 | for profile 45 | for profile 50 | for profile 60 |
| K1034.0800 | B | 8 | 0° | 18 | 7,1 | 11 | 20 | 15,5 | 8 | 33 | 4,8 | 4 | 22 | - | - | - | - |
| K1034.0890 | B | 8 | 90° | 18 | 7,1 | 11 | 20 | 15,5 | 8 | 33 | 4,8 | 4 | 22 | - | - | - | - |
| K1034.1000 | B | 10 | 0° | 22,5 | 9,7 | 17 | 28 | 19,5 | 10 | 45,5 | 5,5 | 6 | - | 31 | 34 | 36 | 41 |
| K1034.1090 | B | 10 | 90° | 22,5 | 9,7 | 17 | 28 | 19,5 | 10 | 45,5 | 5,5 | 6 | - | 31 | 34 | 36 | 41 |