

## Slot keys

heavy duty Type I

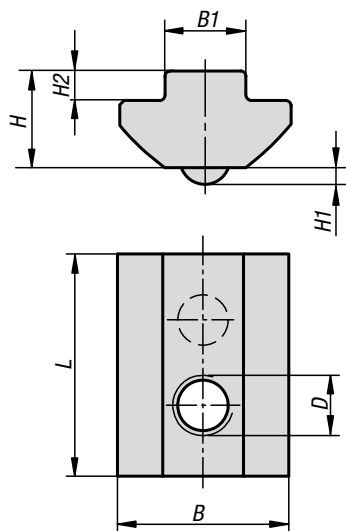


**Material:**  
Steel.

**Version:**  
Electro zinc-plated.

**Sample order:**  
K1025.0804

**Note:**  
Suitable for high load connections. Since the key passes to the slot form of the profile, forces are transferred to the profile. The total height allows more threads to be engaged. The slot key can only be inserted into the profile slot from the end. The spring-loaded ball allows the slot key to be fixated anywhere in the profile slot.



### KIPP Slot keys heavy duty Type I

Order No.	Slot width	B	B1	D	H	H1	H2	L
K1025.0804	8	17	8	M4	9,6	1,65	2,9	22
K1025.0805	8	17	8	M5	9,6	1,65	2,9	22
K1025.0806	8	17	8	M6	9,6	1,65	2,9	22
K1025.0808	8	17	8	M8	9,6	1,65	2,9	22