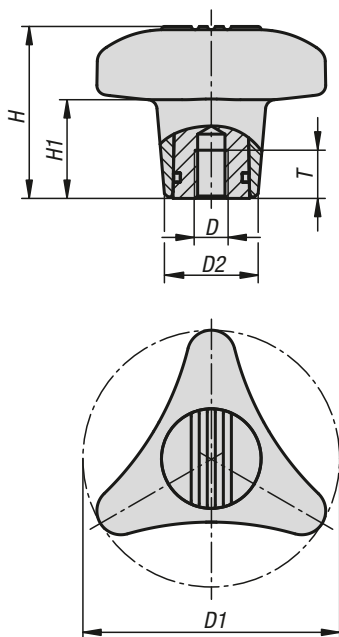


Triangular torque grips



Material:

Grip glass-bead reinforced thermoplastic.
Cap thermoplastic.
Metal parts hardened stainless steel.

Version:

Grip and cap, black grey (RAL 7021).
Stainless steel parts, electropolished.

Sample order:

K1019.180105

Note:

An audible click signals when the maximum torque has been reached. The grip can only be tightened with the maximum torque specified in the table.

On request:

Other internal threads, maximum torques and colours.

KIPP Triangular torque grips

Order No.	D	D1	D2	H	H1	T	Torque Nm
K1019.180085	M8	80	29,2	53,5	31	13	5
K1019.180105	M10	80	29,2	53,5	31	13	5
K1019.180125	M12	80	29,2	53,5	31	13	5