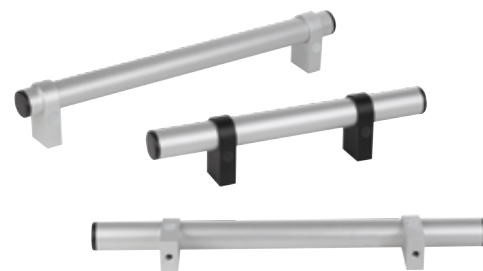
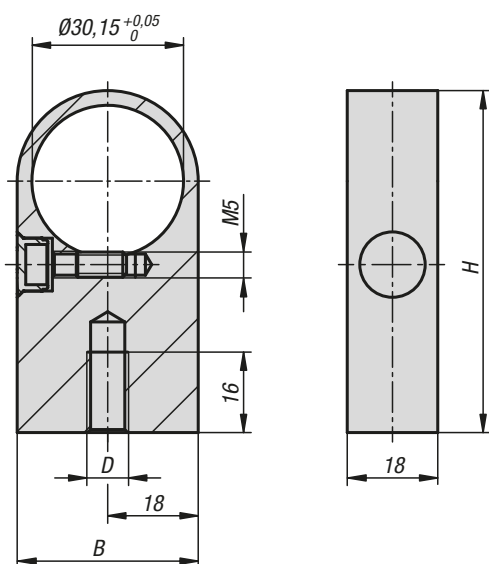
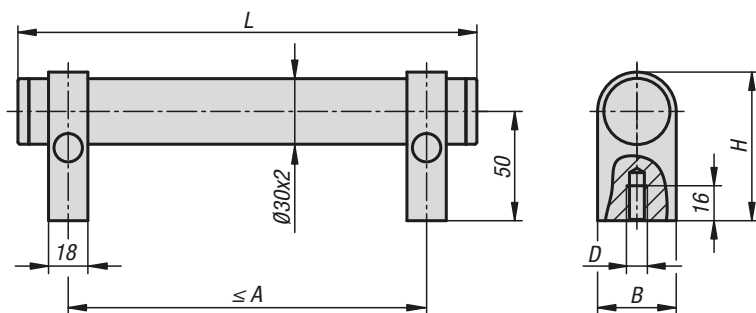


Tubular handles

adjustable



Material:

Grip tube EN AW-6060.
Mounting bracket EN AW-6063.
End caps thermoplastic.
Grub screw ISO 4766-14H.

Version:

Grip tube anodised natural tone.
Mounting brackets anodised natural tone or black.
Grip end piece, black.
Bracket end cap light grey or black.

Sample order:

K1018.2503011

Note:

The adjustable tubular handles are supplied unassembled.
The centre distance for the tubular handles can be freely determined.
The recommended maximum centre distance can be found in the table under A max.
Additional mounting brackets can be included for long handle lengths or high loads.
The mounting brackets are supplied unassembled.

KIPP Tubular handles adjustable

Order No.	Main colour	Component colour	A max.	B	D	H	L	Load capacity N
K1018.2503011	natural anodised	natural anodised	220	36	M8	68	250	1000
K1018.3003011	natural anodised	natural anodised	270	36	M8	68	300	1000
K1018.4003011	natural anodised	natural anodised	370	36	M8	68	400	1000
K1018.5003011	natural anodised	natural anodised	470	36	M8	68	500	1000
K1018.6003011	natural anodised	natural anodised	570	36	M8	68	600	1000
K1018.2503012	natural anodised	black anodised	220	36	M8	68	250	1000
K1018.3003012	natural anodised	black anodised	270	36	M8	68	300	1000
K1018.4003012	natural anodised	black anodised	370	36	M8	68	400	1000
K1018.5003012	natural anodised	black anodised	470	36	M8	68	500	1000
K1018.6003012	natural anodised	black anodised	570	36	M8	68	600	1000

KIPP Mounting brackets

Order No.	Main colour	B	D	H
K1018.08301	natural anodised	36	M8	68
K1018.08302	black anodised	36	M8	68