

Star grips

similar to DIN 6336 metal parts stainless steel



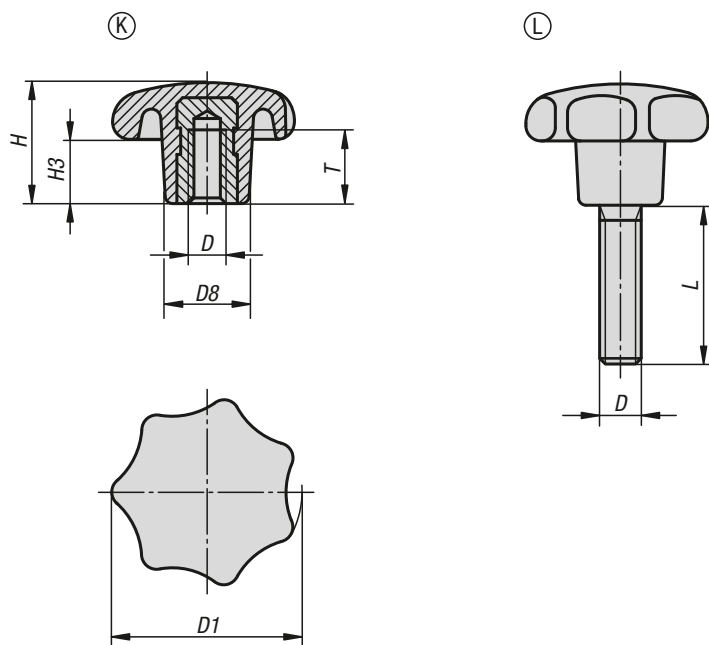
Material:
Thermoset PF 31, black.
Bushing or threaded pin stainless steel 1.4301.

Version:
High-gloss polished.

Sample order:
K1016.43206X20 (include length L)

On request:
Other colours.

Drawing reference:
Form K: tapped bush
Form L: external thread



KIPP Star grips similar to DIN 6336, metal parts stainless steel, internal thread, with cap, Form K

Order No.	Form	D	D1	D8	H	H3	T
K1016.22505	K	M5	25	12	16	8	7,5
K1016.23206	K	M6	32	14	20	10	12
K1016.24008	K	M8	40	18	25	13	14
K1016.25010	K	M10	50	22	32	17	18
K1016.26312	K	M12	63	26	40	21	22
K1016.28016	K	M16	80	35	50	25	24

KIPP Star grips similar to DIN 6336 metal parts stainless steel, with external thread, Form L

Order No.	Form	D	D1	D8	H	H3	L
K1016.42505X	L	M5	25	12	16	8	15/20/25
K1016.43206X	L	M6	32	14	20	10	15/20/25/30/40
K1016.44008X	L	M8	40	18	25	13	20/25/30/40/50
K1016.45010X	L	M10	50	22	32	17	25/30/40/50
K1016.46312X	L	M12	63	26	40	21	30/40/50/60
K1016.48016X	L	M16	80	35	50	25	30/40/50/60