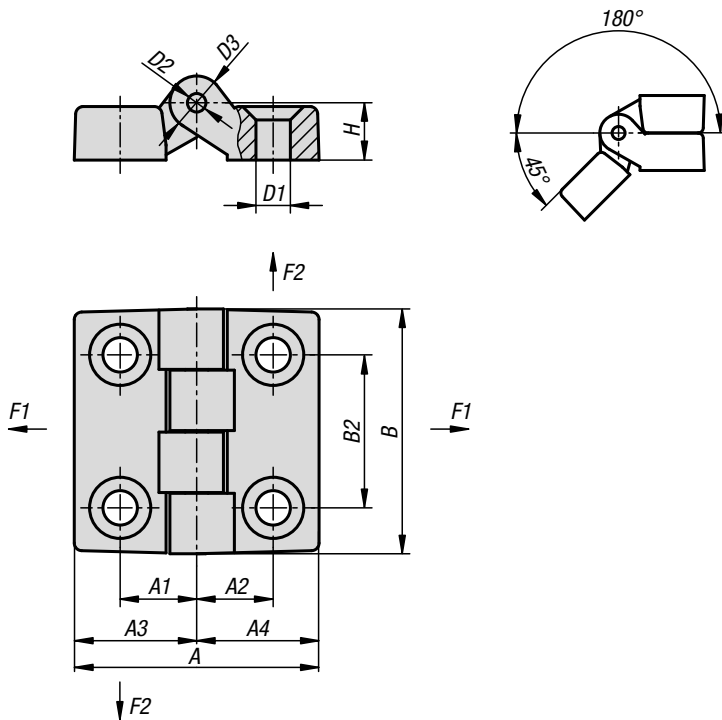


Hinges plastic

with fastening holes



Material:

Fibreglass reinforced thermoplastic.
Hinge pin steel.

Version:

Hinge black.
Hinge pin electro zinc-plated.

Sample order:

K1004.0161010

Note:

Hinges with fastening holes for DIN 7991/UNI 5933 countersunk screws.

The loading values given for the hinges are non-binding reference values without consideration of safety factors and exclude any liability. The values given are for information purposes only and do not constitute a legally binding assurance of properties.

The load values have been determined under laboratory conditions. Each user must determine individually whether the hinge is suitable for the respective application.

Different materials onto which the hinges are installed and the type of mounting, weather conditions and wear can influence the determined values.

KIPP Plastic hinges with fastening holes

| Order No. | A | A1 | A2 | A3 | A4 | B | B2 | D1 | D2 | D3 | H | F1 N | F2 N |
|-----------------|----|------|------|----|----|----|----|------|----|----|------|---------|---------|
| K1004.004161010 | 32 | 10 | 10 | 16 | 16 | 32 | 20 | 4,5 | 3 | 7 | 7 | 1440 | 490 |
| K1004.006241515 | 48 | 15 | 15 | 24 | 24 | 48 | 30 | 6,5 | 5 | 10 | 10,5 | 1960 | 1470 |
| K1004.006322020 | 64 | 20 | 20 | 32 | 32 | 64 | 40 | 6,5 | 5 | 12 | 13 | 2990 | 1520 |
| K1004.008483232 | 96 | 31,5 | 31,5 | 48 | 48 | 96 | 60 | 8,5 | 8 | 16 | 16 | 4300 | 1810 |
| K1004.010483232 | 96 | 31,5 | 31,5 | 48 | 48 | 96 | 60 | 10,5 | 8 | 16 | 16 | 4300 | 1810 |