

# Jaw plates with pins for pendulum jaw 5-axis clamping system compact

## Item description/product images



### Description

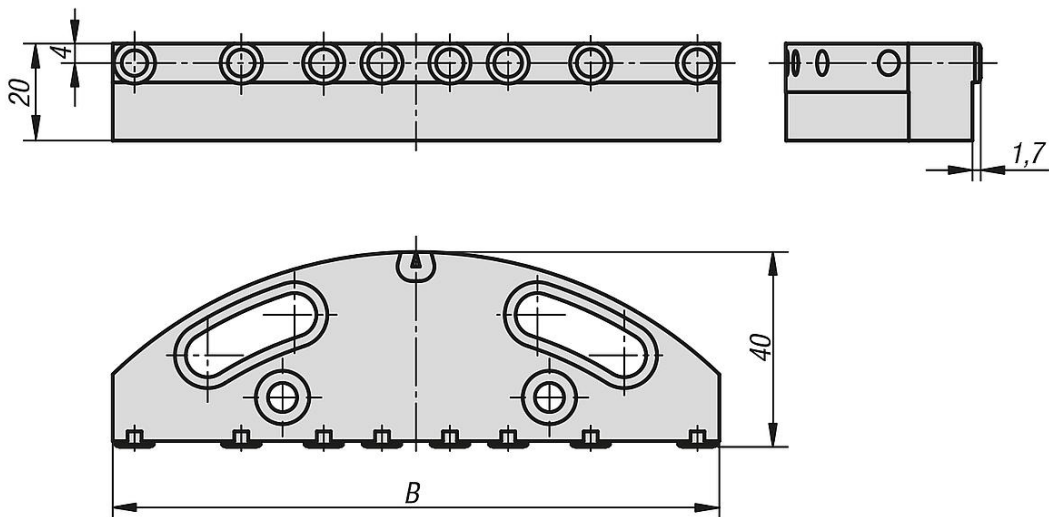
**Material:**  
Tool steel.

**Version:**  
Vice jaw hardened, bright.  
Pins hardened, black oxidised.

**Note:**  
For positive clamping without preforming, e.g. rough pieces, heavy cutting, castings etc.

Supplied singly.

## Drawings



## Overview of items

### Jaw plates with pins for pendulum jaw, 5-axis clamping system compact

Order No.	B	No. of pins
K1001.1251	125	8
K1001.0901	90	6