

Crank handles aluminium

with fold-away grip



Material:

Crank AISi9Cu3 3.2163.
Cylinder grip thermoplastic PA6 and steel.

Version:

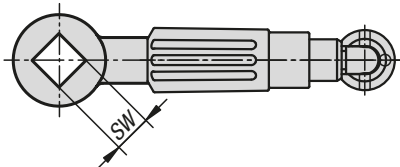
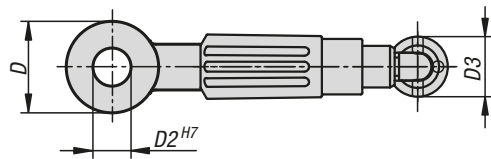
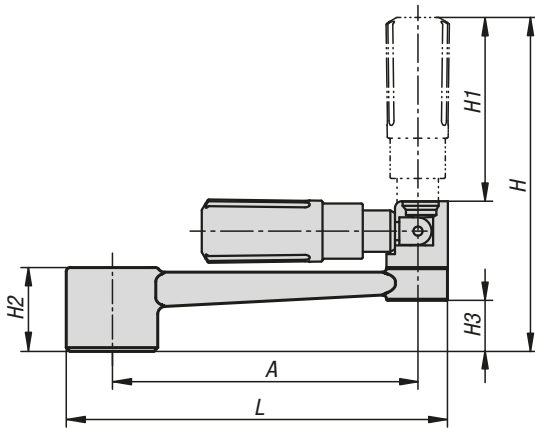
Crank black powder coated.
Thermoplastic black.
Steel parts black oxidised.

Sample order:

K0997.1110

Note:

Similar to DIN 469.



KIPP Crank handles aluminium with fold-away cylinder grip

Order No.	Version 1	Version 2	A	D	D2	D3	H	H1	H2	H3	L
K0997.1110	reamed hole	without transverse hole	80	24	10	16	89	49	22	13,4	100
K0997.1212	reamed hole	without transverse hole	100	28	12	20	108	59,5	26	16	124
K0997.1314	reamed hole	without transverse hole	125	30	14	25	140	83	28	15,8	153
K0997.1417	reamed hole	without transverse hole	160	34	17	25	144	83	32	19,6	190

Order No.	Version 1	Version 2	A	D	D3	H	H1	H2	H3	L	SW
K0997.2110	square socket	without transverse hole	80	24	16	89	49	22	13,4	100	10
K0997.2212	square socket	without transverse hole	100	28	20	108	59,5	26	16	124	12
K0997.2314	square socket	without transverse hole	125	30	25	140	83	28	15,8	153	14
K0997.2417	square socket	without transverse hole	160	34	25	144	83	32	19,6	190	17