

Crank handles aluminium

with revolving grip



Material:

Crank AISi9Cu3 3.2163.
Revolving grip thermoplastic PA6 and steel.

Version:

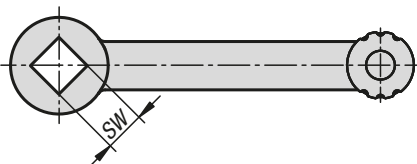
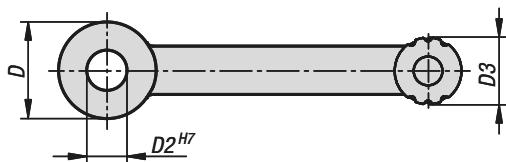
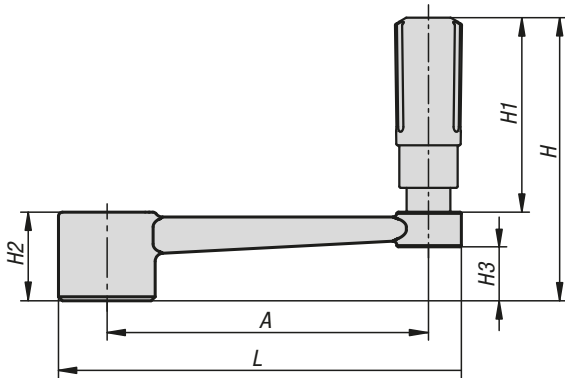
Crank black powder coated.
Thermoplastic black.
Steel parts black oxidised.

Sample order:

K0996.3110

Note:

Similar to DIN 469.



KIPP Crank handles aluminium with cylindrical revolving grip

Order No.	Version 1	Version 2	A	D	D2	D3	H	H1	H2	H3	L
K0996.3110	reamed hole	without transverse hole	80	24	10	16	71,1	49,1	22	13,4	100
K0996.3212	reamed hole	without transverse hole	100	28	12	20	87,4	61,4	26	16	124
K0996.3314	reamed hole	without transverse hole	125	30	14	25	110,5	82,5	28	15,8	153
K0996.3417	reamed hole	without transverse hole	160	34	17	25	114,5	82,5	32	19,6	190

Order No.	Version 1	Version 2	A	D	D3	H	H1	H2	H3	L	SW
K0996.4110	square socket	without transverse hole	80	24	16	71,1	49,1	22	13,4	100	10
K0996.4212	square socket	without transverse hole	100	28	20	87,4	61,4	26	16	124	12
K0996.4314	square socket	without transverse hole	125	30	25	110,5	82,5	28	15,8	153	14
K0996.4417	square socket	without transverse hole	160	34	25	114,5	82,5	32	19,6	190	17