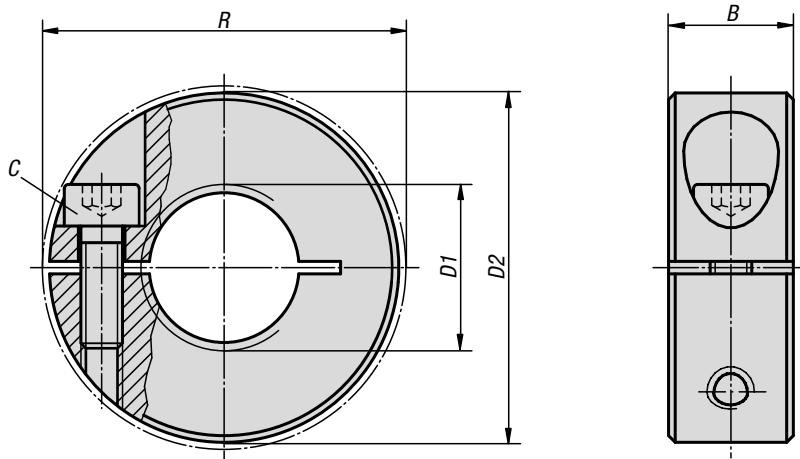
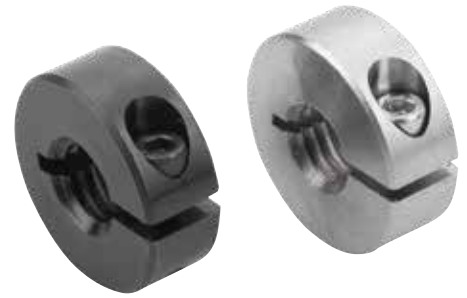


Shaft collars

tapped



Material:

Steel.
Stainless steel 1.4305.

Version:

Steel black oxidised.
Screw 12.9 steel.
Stainless steel bright.
Screw A2-70 stainless steel.

Sample order:

K0986.0601

Note:

Shaft collars with thread surround the shaft with an equal distribution of clamping forces.
The shaft collars can be used on threaded rods or shafts with a thread tolerance of 6g.

Temperature range:

-40 °C to +175 °C.

KIPP Shaft collars tapped

Order No. steel	Order No. stainless steel	B	C	D1	D2	R
K0986.0401	K0986.0402	9	M3x8	M4	16	20,7
K0986.0501	K0986.0502	9	M3x8	M5	16	20,7
K0986.0601	K0986.0602	9	M3x8	M6	16	20,7
K0986.0801	K0986.0802	9	M3x8	M8	18	22,4
K0986.1001	K0986.1002	9	M3x10	M10	24	26
K0986.1201	K0986.1202	11	M4x12	M12	28	31,8
K0986.1601	K0986.1602	13	M5x16	M16	34	39,4
K0986.2001	K0986.2002	15	M6x18	M20	40	46,4