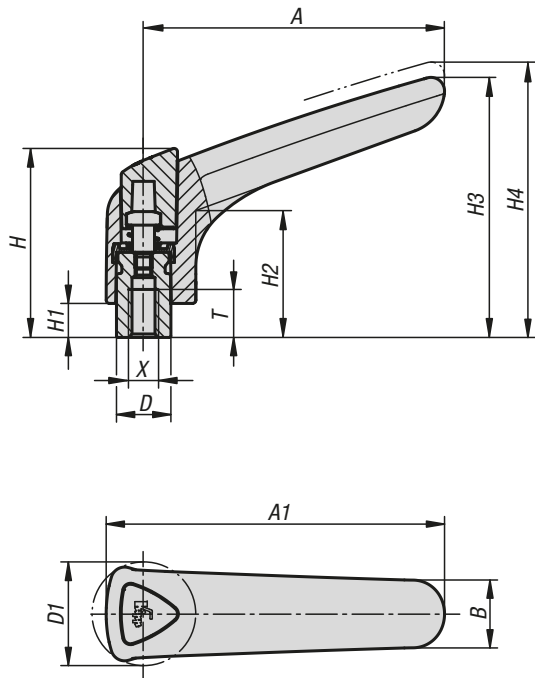


Clamping levers ergonomic

internal thread



Material:

Handle: Hard components reinforced plastic, toothed ring die-cast zinc.
Soft components thermoplastic elastomer.
Steel parts: grade 5.8.

Version:

Steel parts blue-passivated.

Sample order:

K0981.3081

Note:

The colour combinations graphite black RAL 9011 (hard components) and black grey RAL 7021 (soft components) are supplied as standard.

The soft components ensure a non-slip grip of the operating part. The closed design offers sufficient protection against dirt. The design was especially developed for ergonomic gripping requirements.

The push button improves disengagement and allows the handle to be easily used.

On request:

Other internal threads, colours and special versions.
Dimension "H1" available in other lengths at extra charge.

lift to disengage

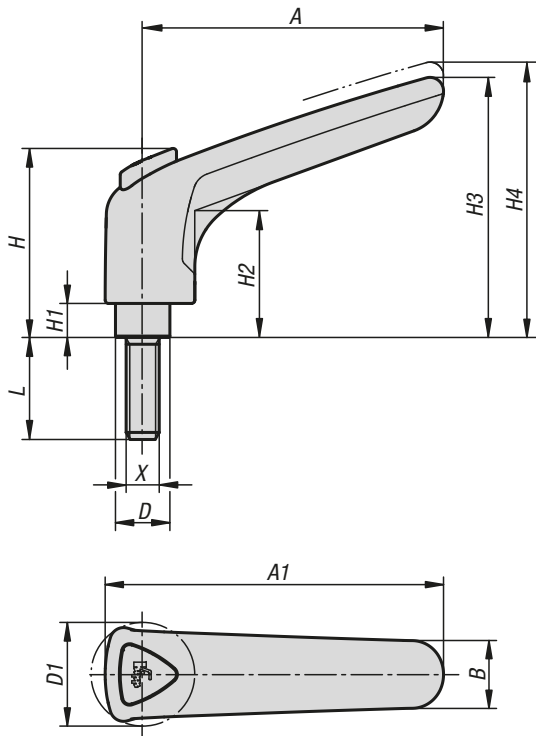


KIPP Clamping levers, ergonomic, internal thread

Order No.	X	T	D	D1	H	H1	H2	H3	H4	A	A1	B	No. of teeth
K0981.3081	M8	14	16	30,5	55,6	10	37,3	76,5	81	88,5	99,5	20	22
K0981.3101	M10	14	16	30,5	55,6	10	37,3	76,5	81	88,5	99,5	20	22

Clamping levers ergonomic

external thread



Material:

Handle: Hard components reinforced plastic, toothed ring die-cast zinc.
Soft components thermoplastic elastomer.
Steel parts: grade 5.8.

Version:

Steel parts blue-passivated.

Sample order:

K0981.3081X15 (include length L)

Note:

The colour combinations graphite black RAL 9011 (hard components) and black grey RAL 7021 (soft components) are supplied as standard.

The soft components ensure a non-slip grip of the operating part. The closed design offers sufficient protection against dirt. The design was especially developed for ergonomic gripping requirements.

The push button improves disengagement and allows the handle to be easily used.

Where $L \geq 60$ mm the thread length is 60 mm.

On request:

Other external threads, screw lengths, colour combinations and special versions.
Dimension "H1" available in other lengths on request at extra charge.

lift to disengage



KIPP Clamping levers, ergonomic, external thread

Order No.	X	D	D1	H	H1	H2	H3	H4	A	A1	B	No. of teeth	L
K0981.3081X	M8	16	30,5	55,6	10	37,3	76,5	81	88,5	99,5	20	22	15/20/25/30/35/40/45/50/55/60
K0981.3101X	M10	16	30,5	55,6	10	37,3	76,5	81	88,5	99,5	20	22	15/20/25/30/35/40/45/50/55/60