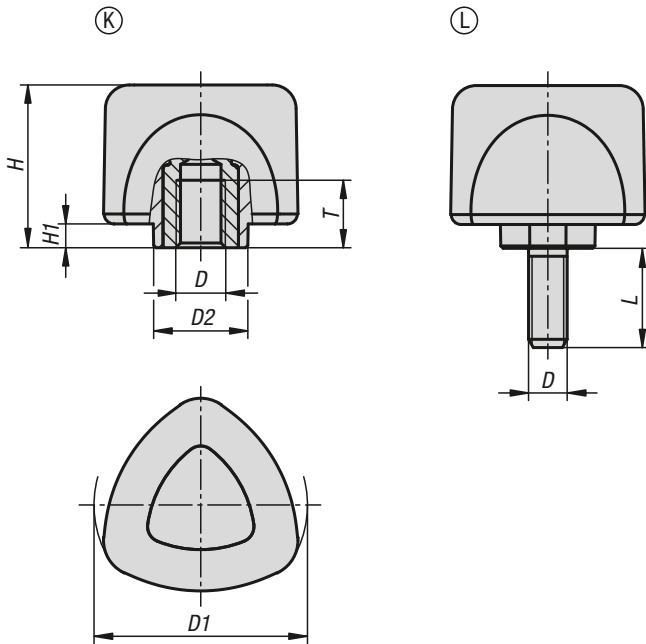


Triangular grips 2K ergonomic



Material:

Hard components fibreglass reinforced plastic.
Soft components thermoplastic elastomer.
Bush or screw, steel grade 5.8 or stainless steel 1.4305.

Version:

Steel trivalent blue passivated.
Stainless steel, bright.

Sample order:

K0980.5008X20

Note:

The colour combinations graphite black RAL 9011 (hard components) and black grey RAL 7021 (soft components) are supplied as standard.

The soft components ensure a non-slip grip of the operating part. The closed design offers sufficient protection against dirt.

On request:

Further colour combinations.

KIPP Internal thread

Order No.	Form	Component material	D	D1	D2	H	H1	T
K0980.5008	K	steel	M8	53,8	23,9	41	6	17
K0980.5010	K	steel	M10	53,8	23,9	41	6	17
K0980.6308	K	steel	M8	67,7	23,9	36	6	17
K0980.6310	K	steel	M10	67,7	23,9	36	6	17
K0980.05008	K	stainless steel	M8	53,8	23,9	41	6	17
K0980.05010	K	stainless steel	M10	53,8	23,9	41	6	17
K0980.06308	K	stainless steel	M8	67,7	23,9	36	6	17
K0980.06310	K	stainless steel	M10	67,7	23,9	36	6	17

KIPP External thread

Order No.	Form	Component material	D	D1	D2	H	H1	L
K0980.5008X	L	steel	M8	53,8	23,9	41	6	20/25/30/40
K0980.5010X	L	steel	M10	53,8	23,9	41	6	20/25/30/40
K0980.6308X	L	steel	M8	67,7	23,9	36	6	20/25/30/40
K0980.6310X	L	steel	M10	67,7	23,9	36	6	20/25/30/40
K0980.05008X	L	stainless steel	M8	53,8	23,9	41	6	20/25/30/40
K0980.05010X	L	stainless steel	M10	53,8	23,9	41	6	20/25/30/40
K0980.06308X	L	stainless steel	M8	67,7	23,9	36	6	20/25/30/40
K0980.06310X	L	stainless steel	M10	67,7	23,9	36	6	20/25/30/40