

UNILOCK 5-axis shoulder screws size 80 mm

Item description/product images



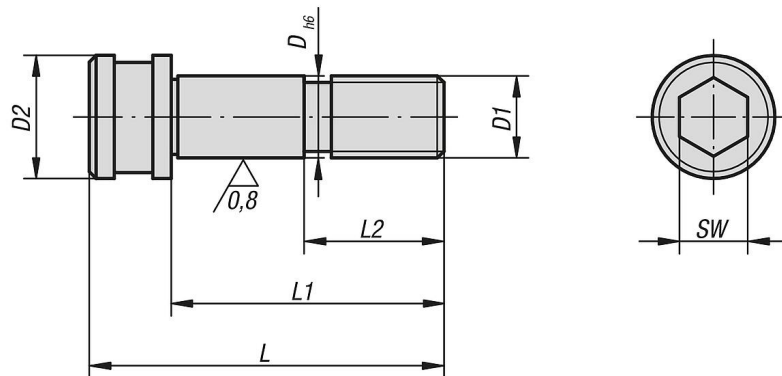
Description

Material:
Carbon steel.

Version:
Surface hardened and oxidised
Precision fits ground.

Note:
The UNILOCK 5-axis locating bolts are suitable for clamping and positioning the clamping bolts for fastening to workpieces. They are also used for positioning and fastening the basic module.

Drawings



Overview of items

UNILOCK 5-axis shoulder screws

Order No.	D	D1	D2	L	L1	L2	SW	Tightening torque max. Nm
K0970.12050	12	M12	17,9	62	50	22	10	75
K0970.16055	16	M16	20,9	70	55	24	10	100

