

UNILOCK T-slot centring clamp bolt size 80 mm

Item description/product images



Description

Material:

Steel.

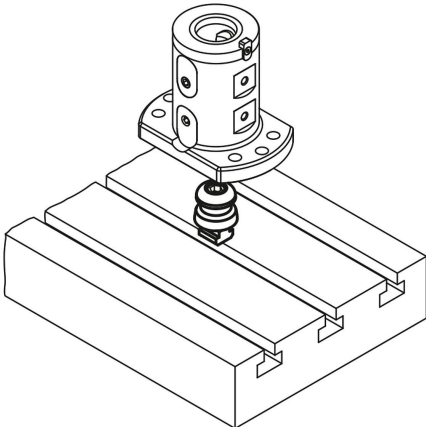
Version:

Hardened and black oxidised.

Contact faces ground.

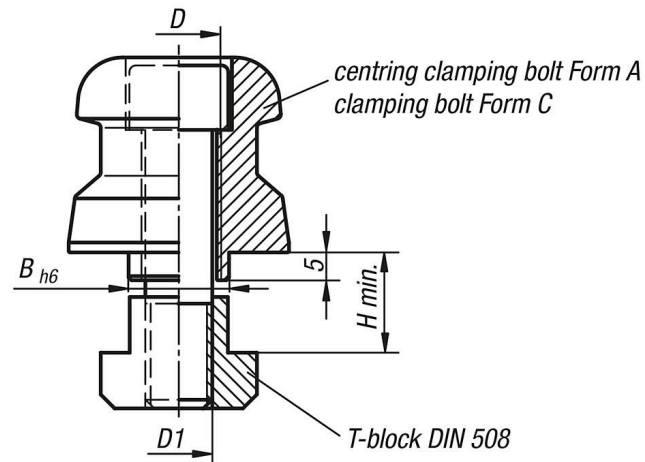
Note:

The UNILOCK T-slot centring clamp bolt is suitable for clamping and positioning the basic module with double manual clamping. T-slot centring clamp bolts are positioned and fastened on the T-slot machine table.



UNILOCK T-slot centring clamp bolt size 80 mm

Drawings



Overview of items

UNILOCK T-slot centring clamp bolt

Order No.	Form	D	D1	B	H min.
K0969.114	A	M12	M10	14	14
K0969.118	A	M16	M12	18	18