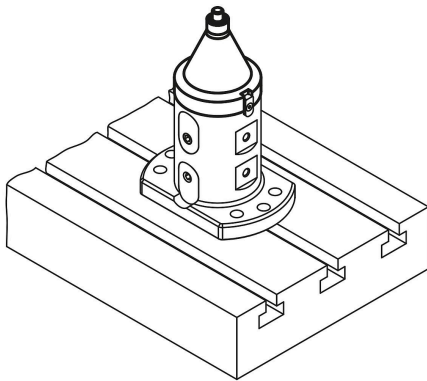


## UNILOCK 5-axis face-grip adapter size 80 mm

### Item description/product images



### Description

**Material:**

Body rust-free tool steel.

Clamping bolt low carbon steel.

**Version:**

Contact faces on the body hardened and ground.

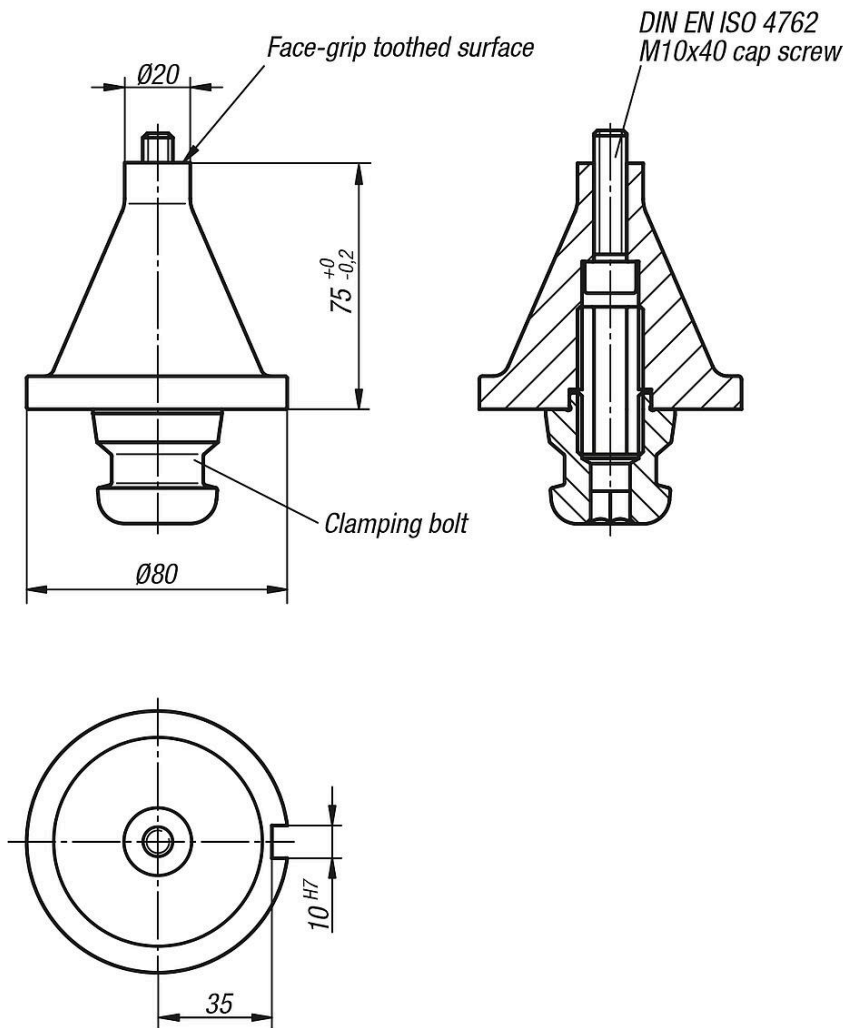
Clamping bolt oxidised. Contact faces hardened and ground.

**Note:**

The UNILOCK 5-axis face-grip adapters are suitable for clamping workpieces, which must be machined on all sides. The workpieces are freely accessible without interfering edges from the clamping elements. The workpieces are attached from below using a socket head screw to pull them onto the face-grip toothed surface. The face-grip adapters can be directly mounted on the basic module with rotation lock or on the add-on module H 75 mm with rotation lock.

**UNILOCK 5-axis face-grip adapter size 80 mm**

**Drawings**



**Overview of items**

**UNILOCK 5-axis face-grip adapter**

Order No.	Dimensions
K0965.2007510	see drawing