

Centring bushes

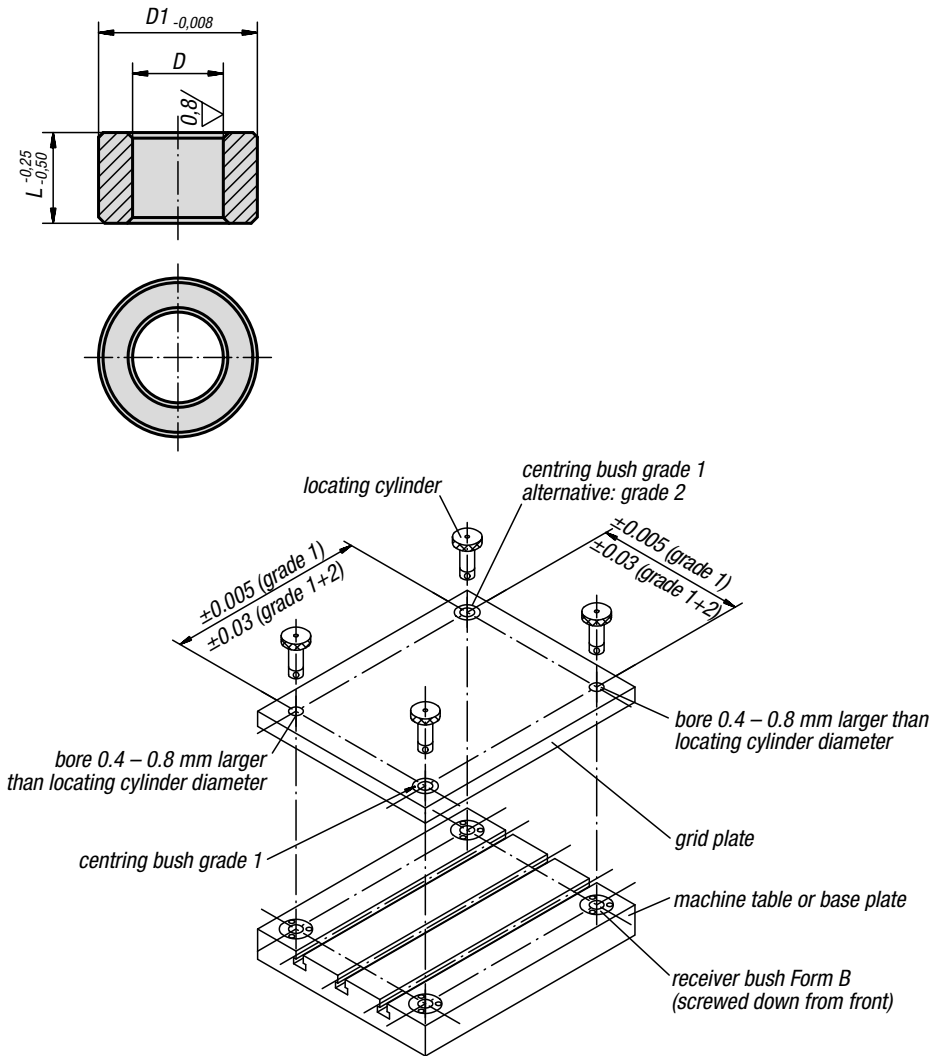


Material:
Ball bearing steel

Version:
Hardened, black oxidised.

Sample order:
K0936.113020

Note:
By a centre distance tolerance of ± 0.005 mm and two grade I centring bushes a repeat accuracy of ± 0.013 mm is possible.
By a centre distance tolerance of ± 0.03 mm and one grade I and one grade II centring bush a repeat accuracy of 0.04 mm is possible.
The centring bushes are pressed into the receiver holes of the tooling plates using a light pressure.
For further details see "General information".



KIPP Centring bushes

Order No. grade I	T=tolerance grade I	Order No. grade II	T=tolerance grade II	D	D1	L	Bore size for centring bush $\varnothing +0.01$
K0936.113013	+0,005 - +0,018	K0936.213013	+0,025 - +0,050	13	19,04	13	19,016
K0936.113020	+0,005 - +0,018	K0936.213020	+0,025 - +0,050	13	19,04	20	19,016
K0936.116020	+0,005 - +0,018	K0936.216020	+0,025 - +0,050	16	25,042	20	25,016
K0936.116025	+0,005 - +0,018	K0936.216025	+0,025 - +0,050	16	25,042	25	25,016
K0936.120020	+0,005 - +0,018	K0936.220020	+0,025 - +0,050	20	35,042	20	35,018
K0936.120025	+0,005 - +0,018	K0936.220025	+0,025 - +0,050	20	35,042	25	35,018
K0936.125020	+0,005 - +0,018	K0936.225020	+0,025 - +0,050	25	35,042	20	35,018
K0936.125025	+0,005 - +0,018	K0936.225025	+0,025 - +0,050	25	35,042	25	35,018
K0936.130020	+0,005 - +0,018	K0936.230020	+0,025 - +0,050	30	45,042	20	45,018
K0936.130025	+0,005 - +0,018	-	-	30	45,042	25	45,018
K0936.135020	+0,005 - +0,018	-	-	35	45,042	20	45,018
K0936.135025	+0,005 - +0,018	K0936.235025	+0,025 - +0,050	35	45,042	25	45,018
K0936.135040	+0,005 - +0,018	K0936.235040	+0,025 - +0,050	35	45,042	40	45,018
K0936.135050	+0,005 - +0,018	K0936.235050	+0,025 - +0,050	35	45,042	50	45,018
K0936.150020	+0,005 - +0,018	-	-	50	63,546	20	63,521
-	-	K0936.250025	+0,025 - +0,050	50	63,546	25	63,521
K0936.150040	+0,005 - +0,018	K0936.250040	+0,025 - +0,050	50	63,546	40	63,521
K0936.150050	+0,005 - +0,018	K0936.250050	+0,025 - +0,050	50	63,546	50	63,521