

# Keyway nuts round

Item description/product images

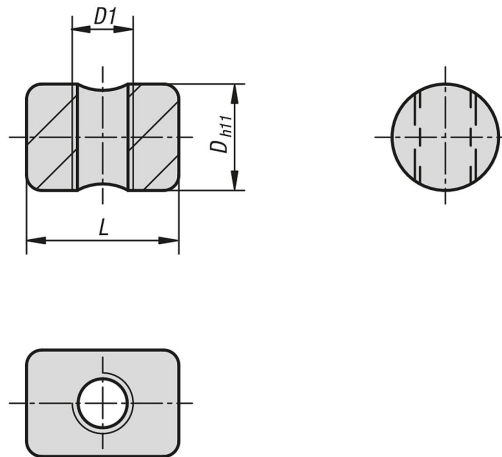


## Description

**Material:**  
Steel.

**Version:**  
Black oxidised.

## Drawings



## Overview of items

### Keyway nuts round

Order No.	D	D1	L
K0909.0802	14	M8	20