

Centring pins for central hole

Item description/product images



Description

Material:

Steel.

Version:

Case-hardened.

Toleranced diameter ground.

Note:

Form A

Locating pin for baseplates with grid holes.

Form B

Locating pin for baseplates with T-slots.

Accessory:

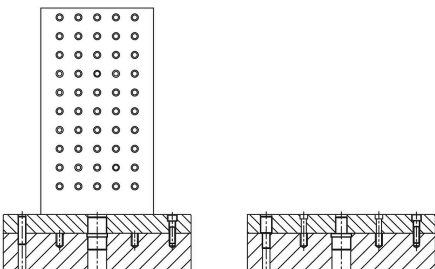
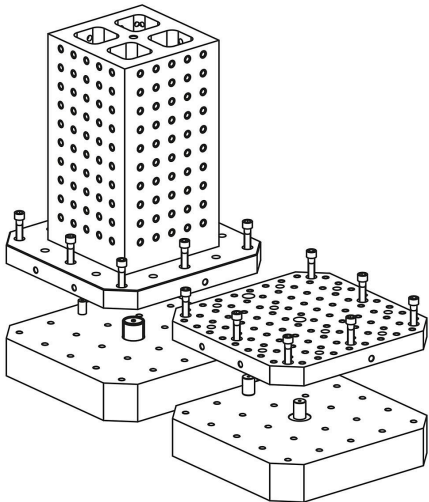
Subplates K0806.

Clamping cubes K0805.

Clamping towers K1533, K1534, K1535.

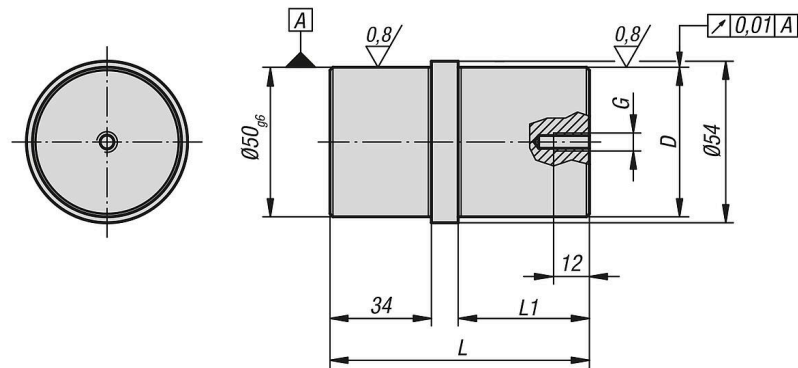
Tombstones K0803, K0804.

Baseplates K1532.



Centring pins for central hole

Drawings



Overview of items

Centering pins for central hole

Order No.	Form	D	G	L	L1
K0856.5025	A	25 g6	M6	77	34
K0856.5030	A	30 h6	M6	87	44
K0856.5050	A	50 g6	M6	87	44
K0856.50301	B	30 h6	M8	79	36