

# Side clamps, ductile iron, with elongated holes and steel jaws

## Item description/product images



### Description

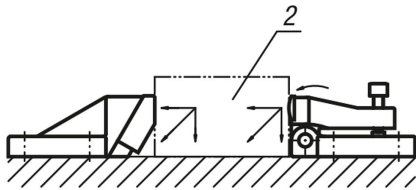
**Material:**  
 Body ductile iron (SG iron)  
 Jaw QT steel hardened.

**Version:**  
 Painted black.  
 Jaw bright.

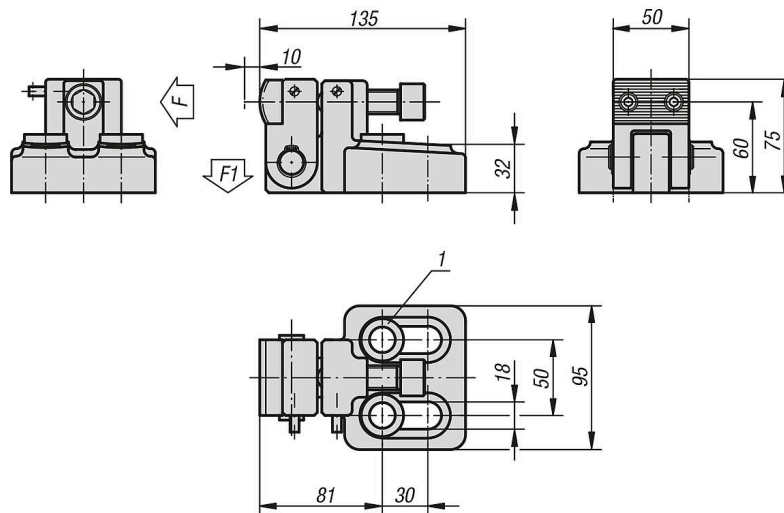
**Note:**  
 The workpiece is clamped between side clamps and the side stops, simultaneously producing a positive down force.  
 Side clamps and stops are secured with DIN 912 cylinder screws. A secure clamping is ensured when side clamps and side stops are used together.

2 conical seats and 2 spherical washers for M12 and M16 are supplied.

**Drawing reference:**  
 1) spherical washer set for M12 and M16  
 2) workpiece



## Drawings



## Overview of items

### Side clamps

Order No.	F kN	F1 kN	Tightening torque Nm
K0831.03	58	2,4	150

