

Triangular grips ergonomic



Material:

Hard components fibreglass reinforced plastic.
Soft components thermoplastic elastomer.
Bush or screw, steel grade 5.8 or stainless steel 1.4305.

Version:

Steel trivalent blue passivated.
Stainless steel, bright.

Sample order:

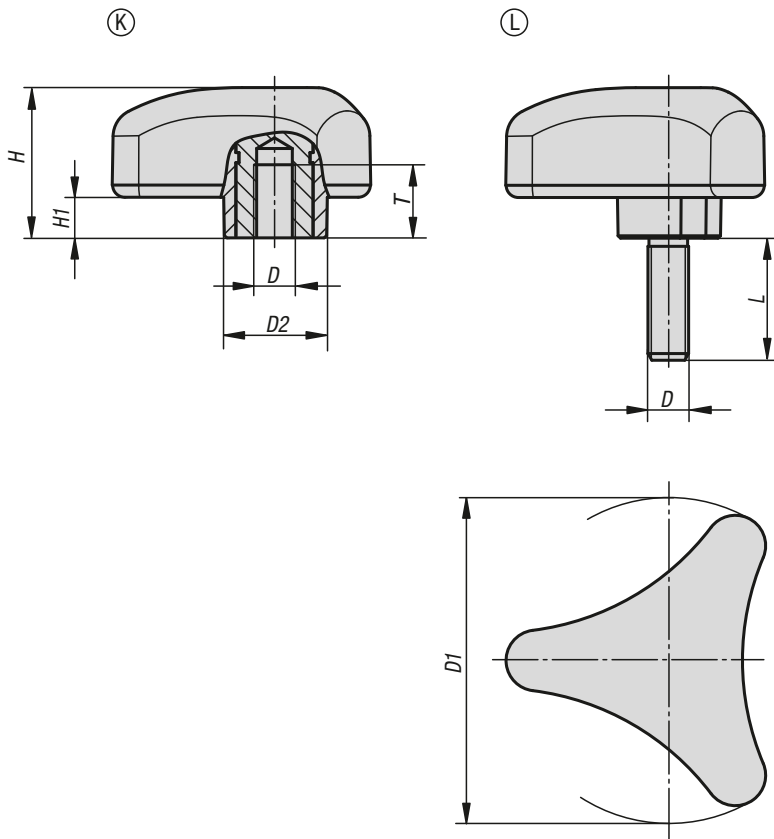
K0785.8008X20

Note:

The colour combination
black grey RAL 7021 (hard components) and
black grey RAL 7021 (soft components)
are supplied as standard.

On request:

Other versions.



KIPP Triangular grips ergonomic with internal thread

Order No.	Form	Component material	D	D1	D2	H	H1	T
K0785.8008	K	steel	M8	80	26	37	10	17
K0785.8010	K	steel	M10	80	26	37	10	17
K0785.8012	K	steel	M12	80	26	37	10	17
K0785.08008	K	stainless steel	M8	80	26	37	10	17
K0785.08010	K	stainless steel	M10	80	26	37	10	17
K0785.08012	K	stainless steel	M12	80	26	37	10	17

KIPP Triangular grips ergonomic with external thread

Order No.	Form	Component material	D	D1	D2	H	H1	L
K0785.8008X	L	steel	M8	80	26	37	10	20/25/30/40
K0785.8010X	L	steel	M10	80	26	37	10	30/40/50
K0785.8012X	L	steel	M12	80	26	37	10	30/40/50/60
K0785.08008X	L	stainless steel	M8	80	26	37	10	20/25/30/40
K0785.08010X	L	stainless steel	M10	80	26	37	10	30/40/50
K0785.08012X	L	stainless steel	M12	80	26	37	10	30/40/50/60