

Wing grips

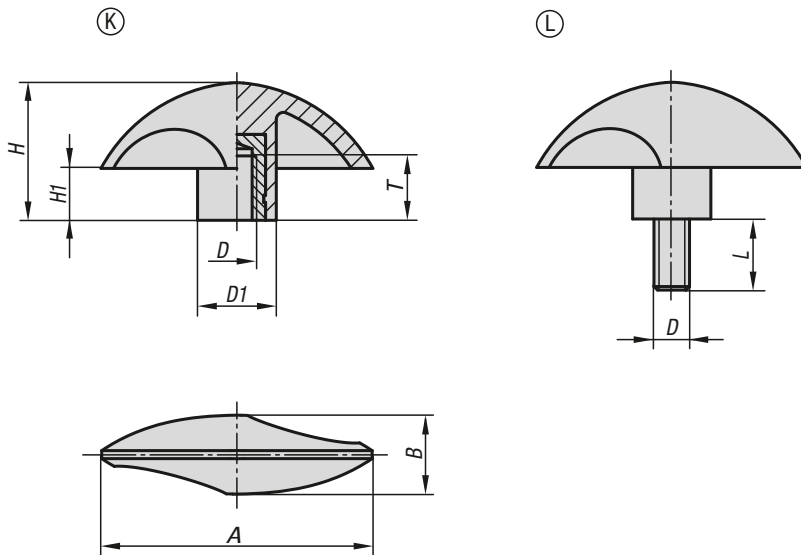


Material:
 Grip polyamide, glass bead reinforced.
 Bush brass or steel.
 Screw steel.

Version:
 Steel electro zinc-plated.

Sample order:
 K0783.15006

Note:
 Temperature resistance from -50 °C to 130 °C.
 Resistant to common chemicals and oils.



KIPP Wing grips with internal thread

Order No.	Form	A	B	D	D1	H	H1	T
K0783.15006	K	51	15	M6	15	25,5	9,5	14
K0783.16008	K	61,5	18	M8	18	31	11,5	14
K0783.17510	K	76	22	M10	22	38,5	14,5	14

KIPP Wing grips with external thread

Order No.	Form	A	B	D	D1	H	H1	L
K0783.25006X15	L	51	15	M6	15	25,5	9,5	15
K0783.26008X20	L	61,5	18	M8	18	31	11,5	20
K0783.27510X20	L	76	22	M10	22	38,5	14,5	20