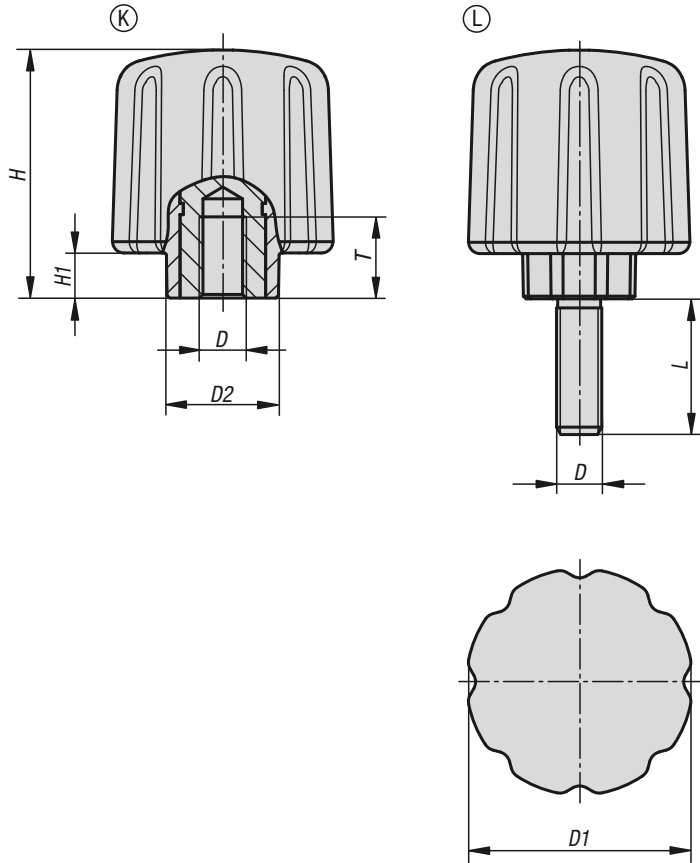


Clamping grips ergonomic



Material:

Hard components fibreglass reinforced plastic.
Soft components thermoplastic elastomer.
Bush or screw, steel grade 5.8 or stainless steel 1.4305.

Version:

Steel trivalent blue passivated.
Stainless steel, bright.

Sample order:

K0779.5006X20

Note:

The colour combination black grey RAL 7021 (hard components) and black grey RAL 7021 (soft components) are supplied as standard.

On request:

Other versions.

KIPP Clamping grips ergonomic with internal thread

Order No.	Form	Component material	D	D1	D2	H	H1	T
K0779.5006	K	steel	M6	50	26	55	10	17
K0779.5008	K	steel	M8	50	26	55	10	17
K0779.5010	K	steel	M10	50	26	55	10	17
K0779.05006	K	stainless steel	M6	50	26	55	10	17
K0779.05008	K	stainless steel	M8	50	26	55	10	17
K0779.05010	K	stainless steel	M10	50	26	55	10	17

KIPP Clamping grips ergonomic with external thread

Order No.	Form	Component material	D	D1	D2	H	H1	L
K0779.5006X	L	steel	M6	50	26	55	10	15/20/25/30
K0779.5008X	L	steel	M8	50	26	55	10	20/25/30/40
K0779.5010X	L	steel	M10	50	26	55	10	30/40/50
K0779.05006X	L	stainless steel	M6	50	26	55	10	15/20/25/30
K0779.05008X	L	stainless steel	M8	50	26	55	10	20/25/30/40
K0779.05010X	L	stainless steel	M10	50	26	55	10	30/40/50