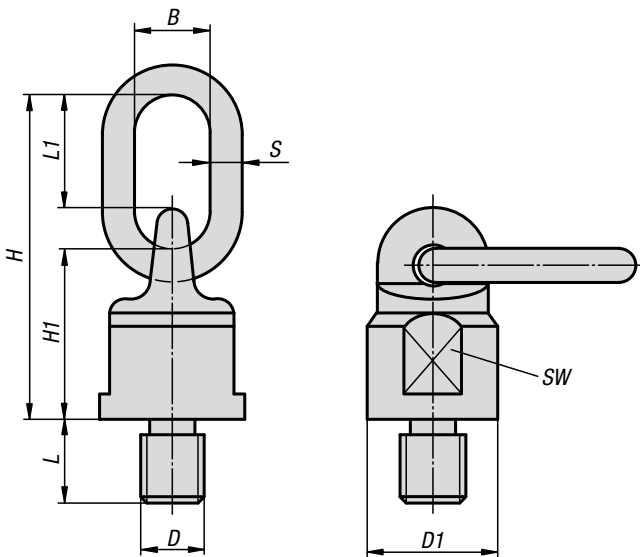


## Ring bolts

swivel, 360° rotatable, grade 8



**Material:**  
Steel.

**Version:**  
Quality class 8, ball bearing;  
red plastic-coated

**Sample order:**  
K0770.1018

**Note:**  
Compact and light design, full loading on all sides.  
4x safety factor against breakage in all loading axis.  
Rotatable 360°. Link swivel range max. 180°. The ball bearing allows the ring to rotate even under load.

Lifting or securing loads, swivel rings have many uses.

For the loading capacity to be valid it must be ensured that the ring is in line with the load. The swivel face must lie flat on the support beam and the screw must always be screwed in fully.

Maximum lifting weight "G" in kg for different sling types

Sling configuration												
	G	G	G	G	G	G	G	G	G	G		
No. of slings	1	2	1	2	2	2	3 - 4	3 - 4				
sling angle $\alpha$	0°	0°	90°	90°	0°-45°	45°-60°	0°-45°	45°-60°				
M10	600	1200	300	600	420	300	630	450				
M12	1000	2000	500	1000	750	500	1100	750				
M16	2000	4000	1120	2000	1500	1120	2360	1600				
M20	4000	8000	2000	4000	2800	2000	4000	3000				
M24	6300	12500	3150	6300	4250	3150	6300	4750				
M30	10600	21200	5300	10600	7100	5800	11200	8000				
M36	12500	25000	8000	16000	11200	8000	16800	12000				

### KIPP Ring bolts, swivel, rotatable 360°, grade 8

Order No.	B	D	D1	H	H1	L	L1	S	SW	Permissible load kg
<b>K0770.1018</b>	30	M10	38	105	50	18	46	13	30	300
<b>K0770.1218</b>	30	M12	38	105	50	18	46	13	30	500
<b>K0770.1620</b>	30	M16	38	105	50	20	46	13	30	1120
<b>K0770.2030</b>	34	M20	50	131	61	30	57	16	40	2000
<b>K0770.2430</b>	40	M24	58	153	68	30	70	19	48	3150
<b>K0770.3035</b>	40	M30	75	165	80	35	65	20	65	5300
<b>K0770.3654</b>	50	M36	85	205	95	54	90	22	75	8000