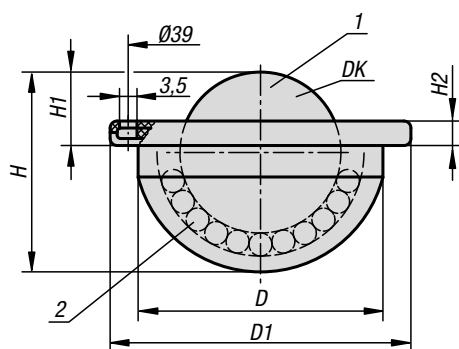


## Ball transfer units

with fastening holes, without housing



**Material:**  
Steel electro zinc-plated.

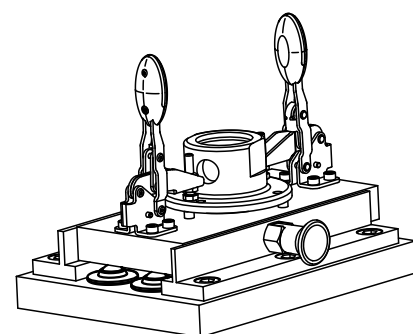
**Sample order:**  
K0764.122

**Note:**  
Ball transfer units with fastening holes for easy installation and removal.

**Drawing reference:**  
1) load ball  
2) bearing balls

Form B: cap and housing electro zinc-plated, balls steel

Form C: cap and housing electro zinc-plated, balls stainless steel



### KIPP Ball transfer units with fastening holes, without housing

Order No.	Form	DK	D	D1	H	H1	H2	No. of fastening holes	Load rating C (N)
K0764.122	B	22	33-0,2	45	27,7	9,8±0,2	5	3	1200
K0764.222	C	22	33-0,2	45	27,7	9,8±0,2	5	3	900