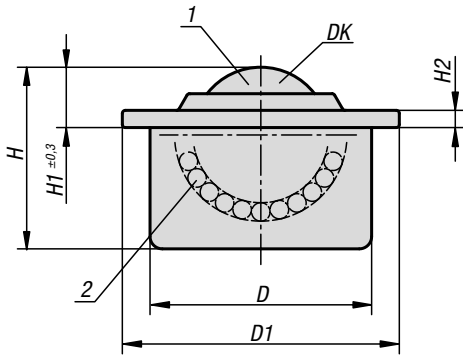


Ball transfer units

with steel housing and plastic ball



Material:

Electro zinc-plated steel.
Polyamid PA 66 ball.

Sample order:

K0761.122

Note:

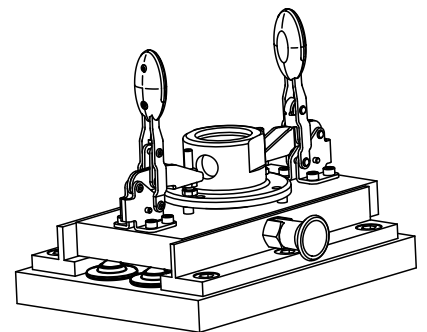
Ball transfer units with plastic balls are particularly suitable for transporting sensitive materials such as polished aluminium, brass and steel sheets or glass. They have a felt seal to protect against dirt.

Drawing reference:

- 1) load ball
- 2) bearing balls

Form B: cap and housing electro zinc-plated, bearing balls steel.

Form C: cap and housing electro zinc-plated, bearing balls stainless steel



KIPP Ball transfer units with steel housing and plastic ball

Order No.	Form	DK	D	D1	H	H1	H2	Load rating C (N)	Suitable tolerance ring
K0761.115	B	15,8	24±0,065	31	21	9,5	2,8	100	K0766.024
K0761.122	B	22,2	36±0,080	45	30	9,6	2,8	200	K0766.036
K0761.130	B	30	45±0,080	55	37	13,6	4	250	K0766.045
K0761.215	C	15,8	24±0,065	31	21	9,5	2,8	100	K0766.024
K0761.222	C	22,2	36±0,080	45	30	9,6	2,8	200	K0766.036
K0761.230	C	30	45±0,080	55	37	13,6	4	250	K0766.045