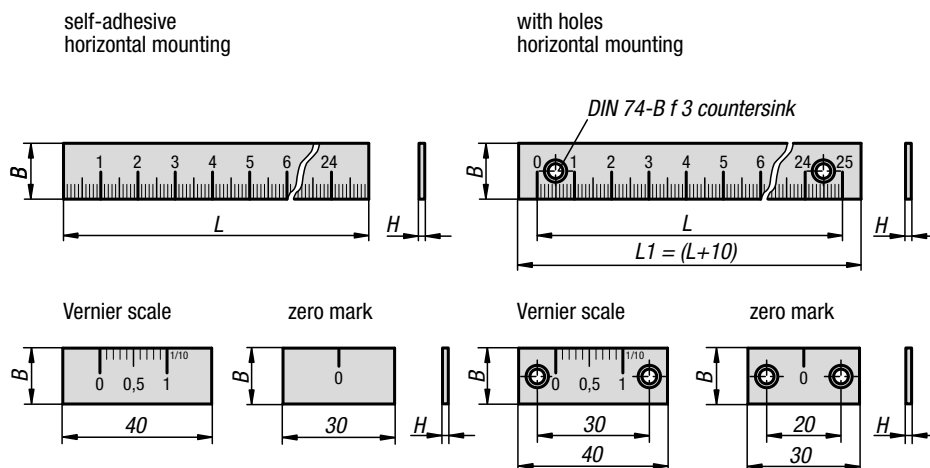


Linear scales

self adhesive or with screw holes, aluminium



Material:
Aluminium.

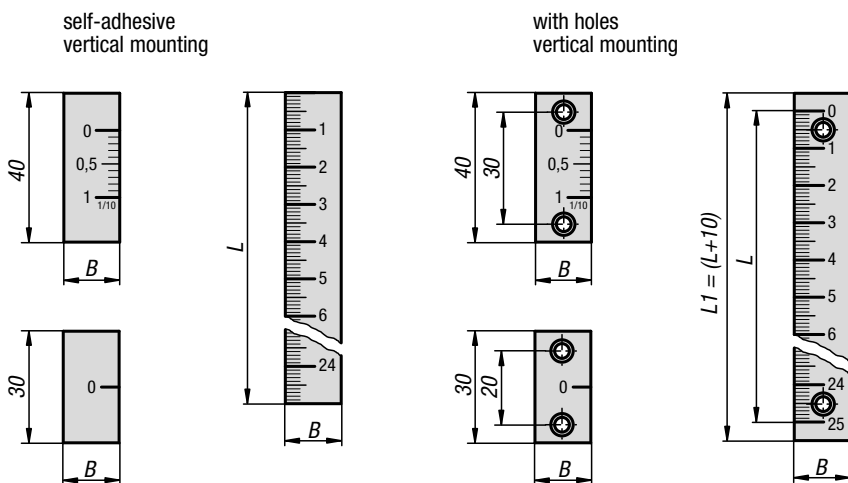
Version:
Black anodised

Sample order:
K0757.000010X0250 (include length L)

Note:
Rigid design aluminium linear scales with self-adhesive back or with screw holes. Cross section 15 x 2 mm.

Black anodised surface and high contrast graduations for legibility without shading. The graduations are deep lasered.

On request:
 - Zero mark lower right or centre
 - Graduations upper right or both sides
 - Other lengths



Length L	No. of holes
250	2
500	3
750	4
1000	5

KIPP Linear scales, self adhesive or with screw holes, aluminium

Order No. self adhesive	Order No. fastening holes	Product type	Version 1	Zero point	Division	Graduations	B	H	L	L1
K0757.000010X	-	scale	horizontal	left	1 mm	bottom	15	2	250/500/750/1000	250
K0757.010010X	-	scale	vertical	top	1 mm	left	15	2	250/500/750/1000	250
-	K0757.100010X	scale	horizontal	left	1 mm	bottom	15	2	250/500/750/1000	260
-	K0757.110010X	scale	vertical	top	1 mm	left	15	2	250/500/750/1000	260

KIPP Vernier scale and zero reference, self adhesive or with holes, aluminium

Order No. self adhesive	Order No. fastening holes	Product type	Version 1	Zero point	Graduations	B	H
K0757.0001	K0757.1001	vernier scale	horizontal	left	top	15	2
K0757.0101	K0757.1101	vernier scale	vertical	top	right	15	2
K0757.00	K0757.10	zero reference mark	horizontal	-	-	15	2
K0757.01	K0757.11	zero reference mark	vertical	-	-	15	2