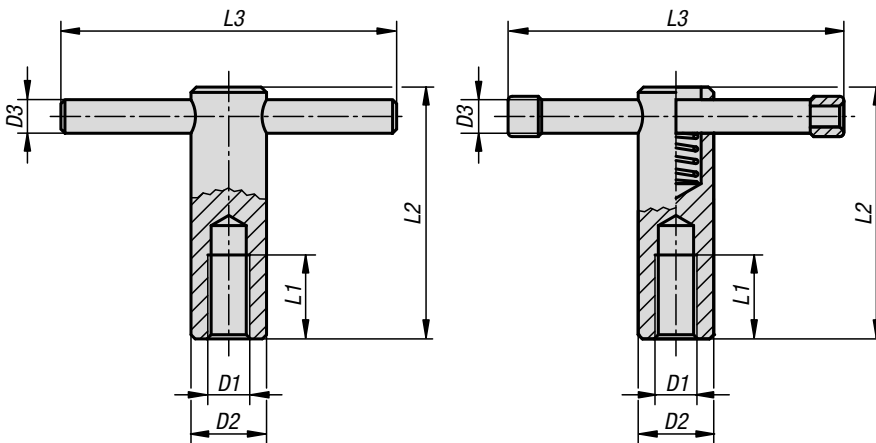


Tommy bars

with fixed or sliding T-bar, DIN 6305 or DIN 6307

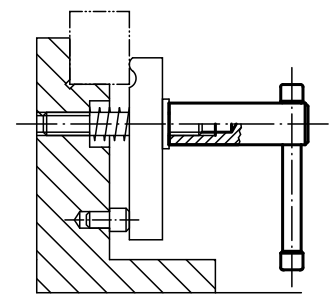


Material:
Steel.

Version:
Black oxidised.

Sample order:
K0755.210

Note:
By the version with sliding T-bar the bar is held in any desired position by a spring in the body. End stops prevent the bar falling out.
By the version with fixed T-bar the bar is pressed in.



KIPP Tommy bars with fixed or sliding T-bar, DIN 6305 or DIN 6307

Order No.	Version 1	D1	D2	D3	L1	L2	L3
K0755.110	fixed t-bar	M10	18	8	20	60	80
K0755.112	fixed t-bar	M12	20	10	25	70	100
K0755.116	fixed t-bar	M16	24	12	35	85	120
K0755.120	fixed t-bar	M20	30	16	40	95	140
K0755.210	sliding t-bar	M10	18	8	20	60	80
K0755.212	sliding t-bar	M12	20	10	25	70	100
K0755.216	sliding t-bar	M16	24	13	35	85	120
K0755.220	sliding t-bar	M20	30	16	40	95	140