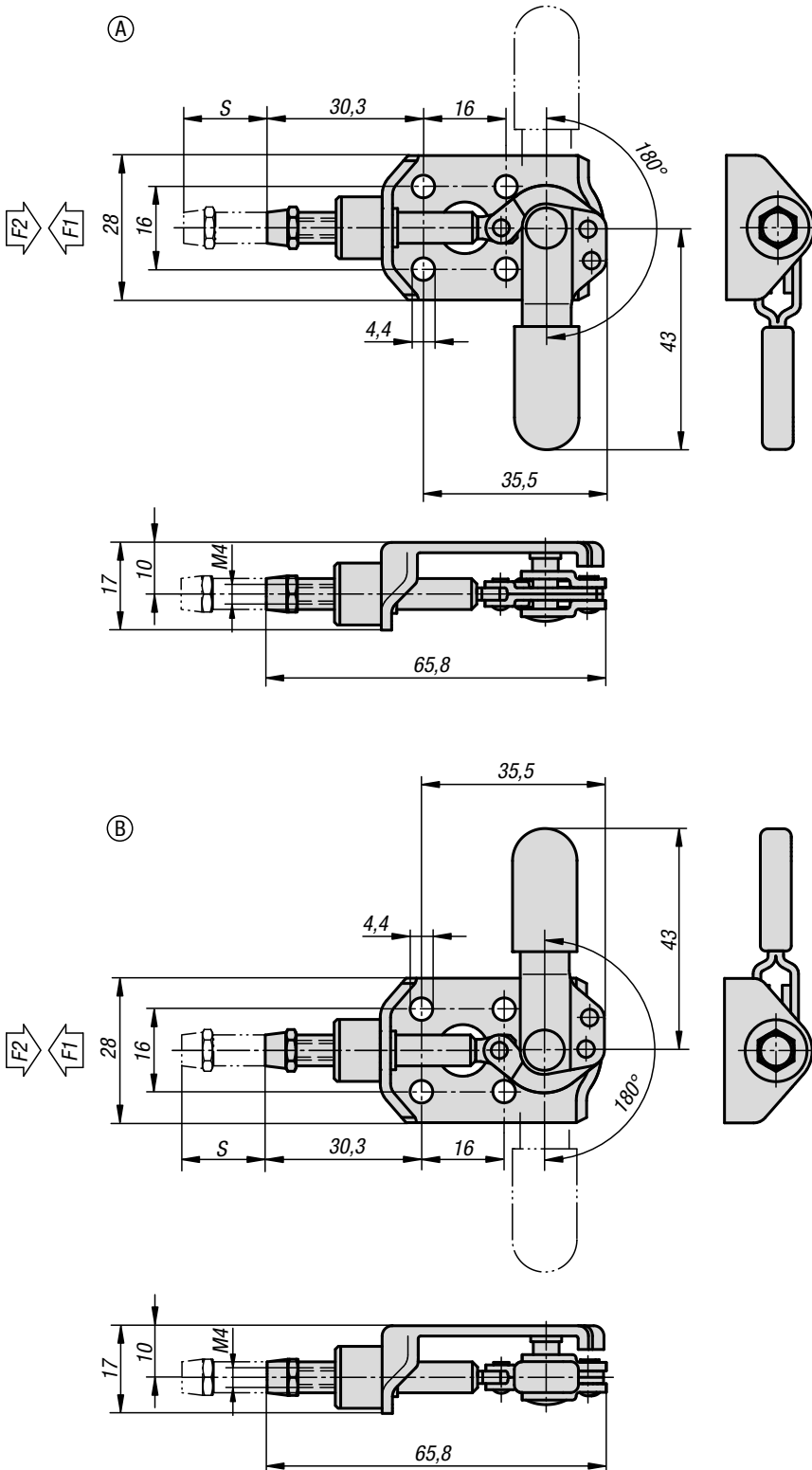


Toggle clamps mini push-pull



Material:
Steel.

Version:
Trivalent passivated.
Plastic grip oil resistant.

Sample order:
K0745.10050

Note:
Push-pull toggle clamps with very low profile. As the clamps lock in the open and closed handle positions, they can be used to clamp when pushing or pulling.

Drawing reference:
Form A: Thrust exerted by rotating handle to the right
Form B: Thrust exerted by rotating handle to the left

KIPP Toggle clamps mini push-pull

Order No.	Form	Travel S	Retaining force F2 N	Retaining force F1 N
K0745.10050	A	16	500	500
K0745.20050	B	16	500	500