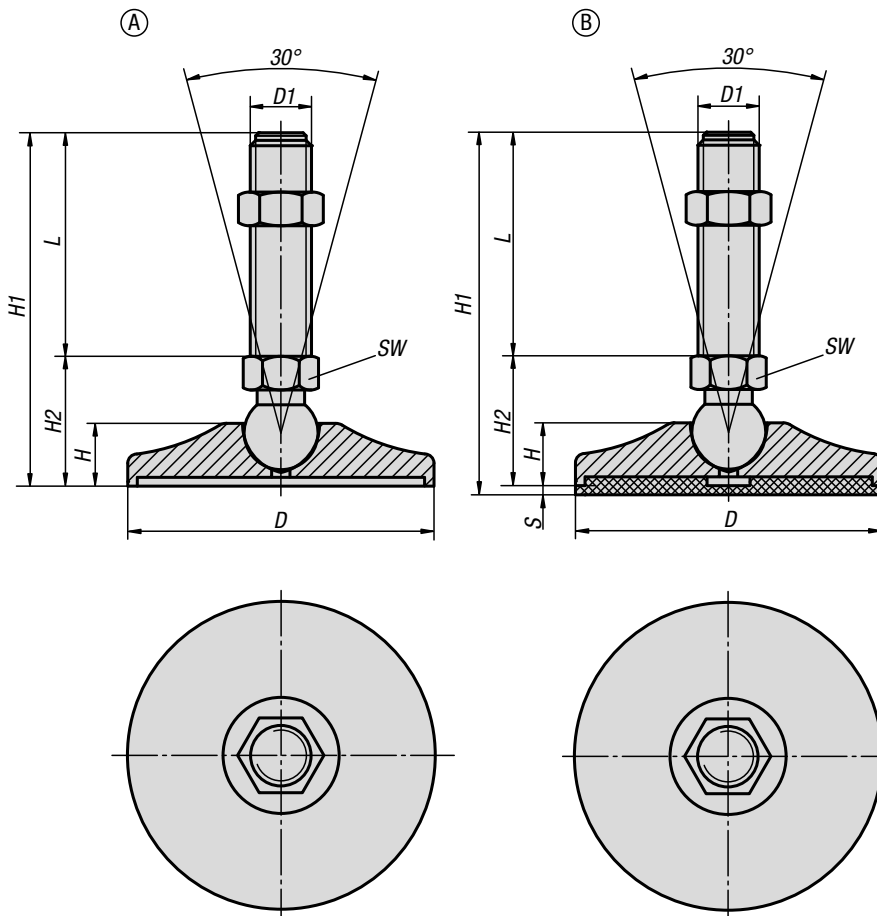


Swivel feet

steel



Material:

Foot plate and threaded spindle steel.
Anti-slip plate (NBR) 70 Shore.

Version:

Foot plate painted yellow.
Threaded spindle electro zinc-plated.
Anti-slip plate black.

Sample order:

K0742.005010X25
(include length L)

Note:

High load rated steel swivel feet with yellow painted plate, optional with an anti-slip plate. The anti-slip plate absorbs vibrations and prevents the swivel foot slipping.

The load values specified in the table are based on a test series, in which a static load was applied perpendicular to the plates through the centre of the spindle. Radially acting forces such as those produced by vibrations or other shaking effects, affect the load rating and are not taken into account for the specified values.

Supplied with matching nut.

Drawing reference:

Form A without anti-slip plate
Form B with anti-slip plate

Swivel feet

steel



KIPP Swivel feet, steel

| Order No. Form A | D | D1 | H | H1 | H2 | SW | L | Load rating max. kN (static load only) |
|---------------------|-----|-----|------|----------------------------|----|----|---------------------------|--|
| K0742.005010X | 50 | M10 | 16 | 53/78/103/128/153 | 28 | 14 | 25/50/75/100/125 | 15 |
| K0742.005012X | 50 | M12 | 16 | 53/78/103/128/153 | 28 | 14 | 25/50/75/100/125 | 15 |
| K0742.005014X | 50 | M14 | 16 | 53/78/103/128/153 | 28 | 14 | 25/50/75/100/125 | 15 |
| K0742.006514X | 65 | M14 | 17 | 80/105/130/155/180 | 30 | 14 | 50/75/100/125/150 | 20 |
| K0742.006516X | 65 | M16 | 17 | 80/105/130/155/180/205 | 30 | 16 | 50/75/100/125/150/175 | 20 |
| K0742.008016X | 80 | M16 | 19,5 | 83/108/133/158/183/208/233 | 33 | 16 | 50/75/100/125/150/175/200 | 30 |
| K0742.008020X | 80 | M20 | 19,5 | 111/136/161/186/211/236 | 36 | 17 | 75/100/125/150/175/200 | 30 |
| K0742.010016X | 100 | M16 | 20 | 93/118/143/168/193/218/243 | 43 | 20 | 50/75/100/125/150/175/200 | 35 |
| K0742.010020X | 100 | M20 | 20 | 118/143/168/193/218/243 | 43 | 20 | 75/100/125/150/175/200 | 45 |
| K0742.010024X | 100 | M24 | 20 | 119/144/169/194/219/244 | 44 | 20 | 75/100/125/150/175/200 | 55 |

| Order No. Form B | D | D1 | H | H1 | H2 | S | SW | L | Load rating max. kN (static load only) |
|---------------------|-----|-----|------|----------------------------|----|---|----|---------------------------|--|
| K0742.105010X | 50 | M10 | 16 | 56/81/106/131/156 | 28 | 3 | 14 | 25/50/75/100/125 | 15 |
| K0742.105012X | 50 | M12 | 16 | 56/81/106/131/156 | 28 | 3 | 14 | 25/50/75/100/125 | 15 |
| K0742.105014X | 50 | M14 | 16 | 56/81/106/131/156 | 28 | 3 | 14 | 25/50/75/100/125 | 15 |
| K0742.106514X | 65 | M14 | 17 | 83/108/133/158/183 | 30 | 3 | 14 | 50/75/100/125/150 | 20 |
| K0742.106516X | 65 | M16 | 17 | 83/108/133/158/183/208 | 30 | 3 | 16 | 50/75/100/125/150/175 | 20 |
| K0742.108016X | 80 | M16 | 19,5 | 86/111/136/161/186/211/236 | 33 | 3 | 16 | 50/75/100/125/150/175/200 | 30 |
| K0742.108020X | 80 | M20 | 19,5 | 114/139/164/189/214/239 | 36 | 3 | 17 | 75/100/125/150/175/200 | 30 |
| K0742.110016X | 100 | M16 | 20 | 96/121/146/171/196/221/246 | 43 | 3 | 20 | 50/75/100/125/150/175/200 | 35 |
| K0742.110020X | 100 | M20 | 20 | 121/146/171/196/221/246 | 43 | 3 | 20 | 75/100/125/150/175/200 | 45 |
| K0742.110024X | 100 | M24 | 20 | 122/147/172/197/222/247 | 44 | 3 | 20 | 75/100/125/150/175/200 | 55 |