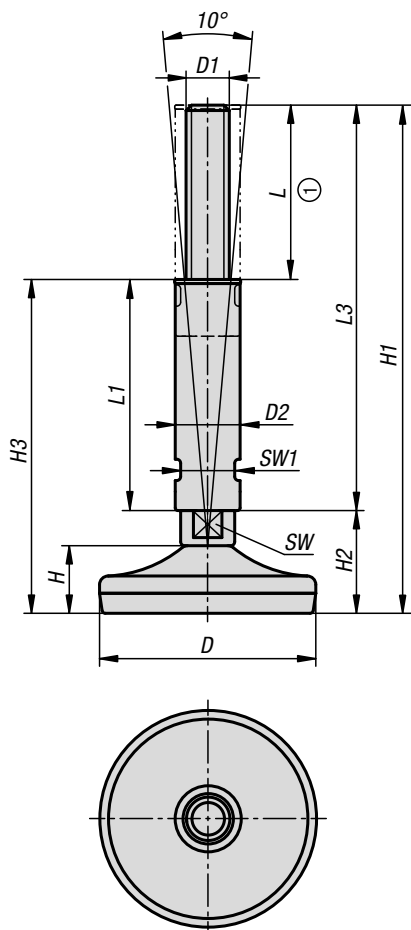


Levelling feet

stainless steel for sterile areas



Material:

Foot plate and threaded spindle stainless steel 1.4301. Base and seal rubber (EPDM).

Version:

Foot plate, polished.
Threaded spindle, bright.
Rubber base black.
Rubber seal black.

Sample order:

K0741.08016X143

Note:

The levelling foot has an adjustment sleeve which covers the part of the thread. An O-ring is inserted inside the sleeve to prevent dirt from entering.

EPDM complies with the guidelines specified in the USDA documentation for rubber products.

The stainless steel levelling feet for sterile areas received the Equipment Acceptance Certificate of the USDA (US-Department of Agriculture).

The load values specified in the table are based on a test series in which a static load was applied perpendicular to the plates through the centre of the spindle. Radially acting forces such as those produced by vibrations or other shaking effects, affect the load rating and are not taken into account for the specified values.

Drawing reference:

1) Adjustment range

KIPP Levelling feet stainless steel for sterile areas

Order No.	D	D1	D2	H	H1	H2	H3	L	L1	L3	SW	SW1	Load rating max. kN (static load only)
K0741.08016X143	80	M16	24	25	188	38	123	65	85	150	17	20	10
K0741.08020X143	80	M20	30	25	188	38	123	65	85	150	17	26	10
K0741.10016X144	100	M16	24	30	193	43	128	65	85	150	17	20	15
K0741.10020X144	100	M20	30	30	193	43	128	65	85	150	17	26	15
K0741.10024X144	100	M24	35	30	194	44	129	65	85	150	20	30	15
K0741.12016X144	120	M16	24	32	195	45	130	65	85	150	17	20	30
K0741.12020X144	120	M20	30	32	195	45	130	65	85	150	17	26	30
K0741.12024X144	120	M24	35	32	196	46	131	65	85	150	20	30	30
K0741.15016X150	150	M16	24	35	198	48	133	65	85	150	17	20	30
K0741.15020X150	150	M20	30	35	198	48	133	65	85	150	17	26	30
K0741.15024X150	150	M24	35	35	199	49	134	65	85	150	20	30	40