

# Levelling feet

steel or stainless steel



**Material:**

Foot plate and threaded spindle steel or stainless steel.  
Rubber support (NBR) 80 Shore.

**Version:**

Foot plate and threaded spindle electro zinc-plated steel.  
Foot plate polished stainless steel.  
Threaded spindle bright stainless steel.  
Rubber support, vulcanised, black.

**Sample order:**

K0739.1108010X50  
(include length L)

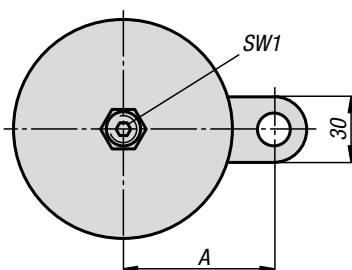
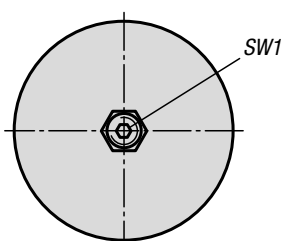
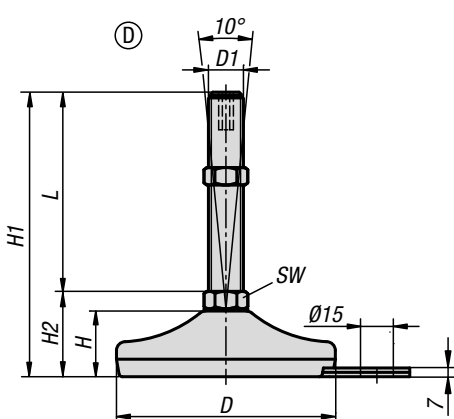
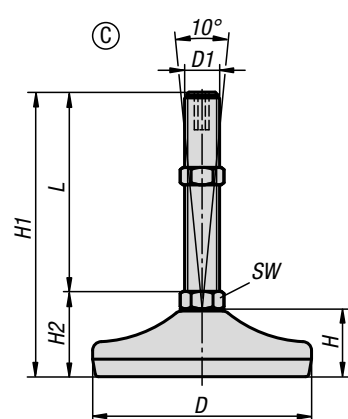
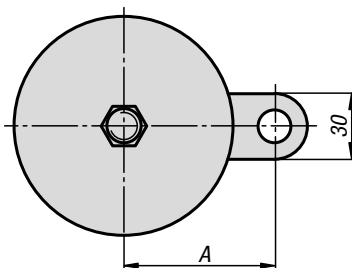
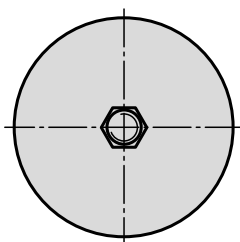
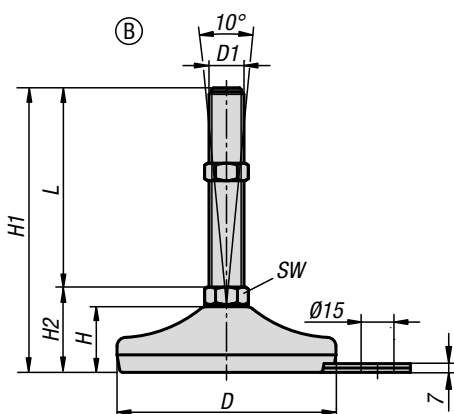
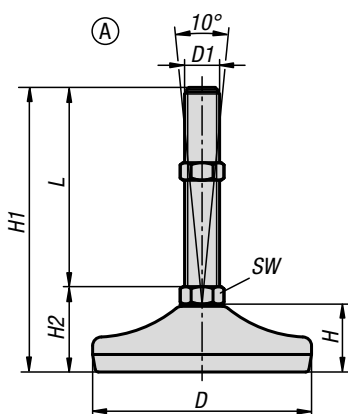
**Note:**

Levelling feet steel or stainless steel with pivoting threaded spindle and rubber base. The solid rubber base is permanently vulcanised to the sheet metal plate. The rubber base has an excellent surface grip. It is sound damping and impedes transmission of vibrations and impacts to the floor.

The load values specified in the table are based on a test series, in which a static load was applied perpendicular to the plates through the centre of the spindle. Radially acting forces such as those produced by vibrations or other shaking effects, affect the load rating and are not taken into account for the specified values.

For stainless steel feet from spindle size M16, the wrench sizes apply across two flats.

Supplied with matching nut.



## KIPP Form A

Order No.	Form	Main material	D	D1	H	H1	H2	SW	L	Load rating max. kN (static load only)
K0739.1105010X	A	steel	50	M10	19	79	29	14	50/100	4
K0739.1105012X	A	steel	50	M12	19	79	29	14	50/100/150	4
K0739.1106010X	A	steel	60	M10	22	82	32	14	50/100	7
K0739.1106012X	A	steel	60	M12	22	82	32	14	50/100/150	7
K0739.1108010X	A	steel	80	M10	25	85	35	14	50/100	10
K0739.1108012X	A	steel	80	M12	25	85	35	14	50/100/150	10
K0739.1108014X	A	steel	80	M14	25	85	35	14	50/100/150	10
K0739.1108016X	A	steel	80	M16	25	135	35	16	100/150	10
K0739.1108020X	A	steel	80	M20	25	111	36	20	75/100/150/200	10
K0739.1110020X	A	steel	100	M20	28	113,5	38,5	20	75/100/150/200/250	15
K0739.1110024X	A	steel	100	M24	28	138,5	38,5	24	100/150/200/250	15
K0739.1112020X	A	steel	120	M20	32	142,5	42,5	20	100/150/200	30
K0739.1112024X	A	steel	120	M24	32	142,5	42,5	24	100/150/200	30
K0739.1112030X	A	steel	120	M30	32	143,5	43,5	30	100/150/200	30
K0739.1205010X	A	stainless steel	50	M10	19	79	29	14	50/100	4
K0739.1205012X	A	stainless steel	50	M12	19	79	29	14	50/100/150	4
K0739.1206010X	A	stainless steel	60	M10	22	82	32	14	50/100	7
K0739.1206012X	A	stainless steel	60	M12	22	82	32	14	50/100/150	7
K0739.1208010X	A	stainless steel	80	M10	25	85	35	14	50/75/100/125	10
K0739.1208012X	A	stainless steel	80	M12	25	85	35	14	50/75/100/125/150	10
K0739.1208014X	A	stainless steel	80	M14	25	110	35	14	75/100/125/150/175	10
K0739.1208016X	A	stainless steel	80	M16	25	110	35	13	75/100/125/150/175	10
K0739.1208020X	A	stainless steel	80	M20	25	113	38	17	75/100/125/150/175/200/225	10
K0739.1210020X	A	stainless steel	100	M20	30	118	43	17	75/100/125/150/175/200	15
K0739.1210024X	A	stainless steel	100	M24	30	144	44	20	100/125/150/175/200	15
K0739.1212020X	A	stainless steel	120	M20	32	143	43	17	100/150/200	30
K0739.1212024X	A	stainless steel	120	M24	32	144	44	20	100/150/200	30
K0739.1212030X	A	stainless steel	120	M30	32	147	47	26	100/150/200	30

## KIPP Form B with fastening tab

Order No.	Form	Main material	A	D	D1	H	H1	H2	SW	L	Load rating max. kN (static load only)
K0739.2106010X	B	steel	45	60	M10	22	82	32	14	50/100	7
K0739.2106012X	B	steel	45	60	M12	22	82	32	14	50/100/150	7
K0739.2108010X	B	steel	54	80	M10	25	85	35	14	50/100	10
K0739.2108012X	B	steel	54	80	M12	25	85	35	14	50/100/150	10
K0739.2108014X	B	steel	54	80	M14	25	85	35	14	50/100/150	10
K0739.2108016X	B	steel	54	80	M16	25	135	35	16	100/150	10
K0739.2108020X	B	steel	54	80	M20	25	111	36	20	75/100/150/200	10
K0739.2110020X	B	steel	69	100	M20	28	113,5	38,5	20	75/100/150/200/250	15
K0739.2110024X	B	steel	69	100	M24	28	138,5	38,5	24	100/150/200/250	15
K0739.2206010X	B	stainless steel	45	60	M10	22	82	32	14	50/100	7
K0739.2206012X	B	stainless steel	45	60	M12	22	82	32	14	50/100/150	7
K0739.2208010X	B	stainless steel	54	80	M10	25	85	35	14	50/75/100/125	10
K0739.2208012X	B	stainless steel	54	80	M12	25	85	35	14	50/75/100/125/150	10
K0739.2208014X	B	stainless steel	54	80	M14	25	110	35	14	75/100/125/150/175	10
K0739.2208016X	B	stainless steel	54	80	M16	25	110	35	13	75/100/125/150/175	10
K0739.2208020X	B	stainless steel	54	80	M20	25	113	38	17	75/100/125/150/175/200/225	10
K0739.2210020X	B	stainless steel	69	100	M20	30	118	43	17	75/100/125/150/175/200	15
K0739.2210024X	B	stainless steel	69	100	M24	30	144	44	20	100/125/150/175/200	15

# Levelling feet

steel or stainless steel

## KIPP Form C with hexagon socket

Order No.	Form	Main material	D	D1	H	H1	H2	SW	SW1	L	Load rating max. kN (static load only)
K0739.3105010X	C	steel	50	M10	19	79	29	14	5	50	4
K0739.3105012X	C	steel	50	M12	19	79	29	14	6	50/100	4
K0739.3105016X	C	steel	50	M16	19	104	29	16	8	75/100/150	4
K0739.3106010X	C	steel	60	M10	22	82	32	14	5	50	7
K0739.3106012X	C	steel	60	M12	22	82	32	14	6	50/100	7
K0739.3106016X	C	steel	60	M16	22	108	33	16	8	75/100/150	7
K0739.3108016X	C	steel	80	M16	25	135	35	16	8	100/150	10
K0739.3108020X	C	steel	80	M20	25	111	36	20	10	75	10
K0739.3110020X	C	steel	100	M20	28	138,5	38,5	20	10	100/150	15
K0739.3110024X	C	steel	100	M24	28	238,5	38,5	24	10	200	15
K0739.3112020X	C	steel	120	M20	32	142,5	42,5	20	10	100/150/200	30
K0739.3112024X	C	steel	120	M24	32	142,5	42,5	24	10	100/150/200	30
K0739.3112030X	C	steel	120	M30	32	143,5	43,5	30	10	100/150/200	30
K0739.3205010X	C	stainless steel	50	M10	19	79	29	14	5	50	4
K0739.3205012X	C	stainless steel	50	M12	19	79	29	14	6	50/100	4
K0739.3205016X	C	stainless steel	50	M16	19	104	29	13	8	75/100/150/200	4
K0739.3206010X	C	stainless steel	60	M10	22	82	32	14	5	50	7
K0739.3206012X	C	stainless steel	60	M12	22	82	32	14	6	50/100	7
K0739.3206016X	C	stainless steel	60	M16	22	108	33	13	8	75/100/150/200	7
K0739.3208016X	C	stainless steel	80	M16	25	110	35	13	8	75/100/125/150/175	10
K0739.3208020X	C	stainless steel	80	M20	25	113	38	17	10	75/200	10
K0739.3210020X	C	stainless steel	100	M20	30	193	43	17	10	150	15
K0739.3212020X	C	stainless steel	120	M20	32	143	43	17	10	100/150/200	30
K0739.3212024X	C	stainless steel	120	M24	32	145	45	20	10	100/150/200	30
K0739.3212030X	C	stainless steel	120	M30	32	147	47	26	10	100/150/200	30

## KIPP Form D with hexagon socket and fastening tab

Order No.	Form	Main material	A	D	D1	H	H1	H2	SW	SW1	L	Load rating max. kN (static load only)
K0739.4106010X	D	steel	45	60	M10	22	82	32	14	5	50	7
K0739.4106012X	D	steel	45	60	M12	22	82	32	14	6	50/100	7
K0739.4106016X	D	steel	45	60	M16	22	108	33	16	8	75/100/150/200	7
K0739.4206010X	D	stainless steel	45	60	M10	22	82	32	14	5	50	7
K0739.4206012X	D	stainless steel	45	60	M12	22	82	32	14	6	50/100	7
K0739.4206016X	D	stainless steel	45	60	M16	22	108	33	13	8	75/100/150/200	7