

Clamping levers, flat

internal thread



Material:

Handle die-cast zinc DIN EN 12844.
Steel parts grade 5.8.

Version:

Handle powder-coated.
Steel parts black oxidised.

Sample order:

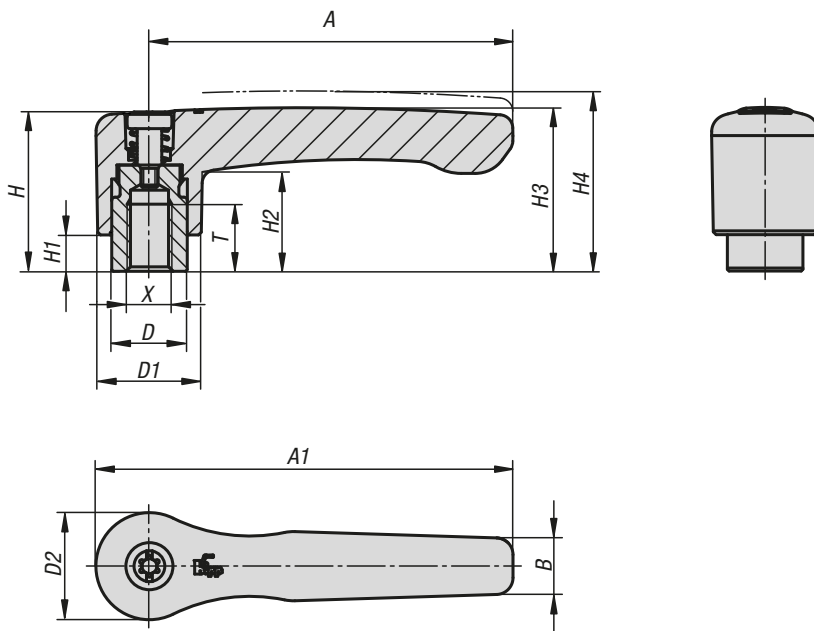
K0737.2061

Note:

Standard colours are:
black satin finish, orange RAL 2004.

On request:

Other threads, colours and special versions.
Dimension "H1" available in other lengths at extra charge.



lift to
disengage

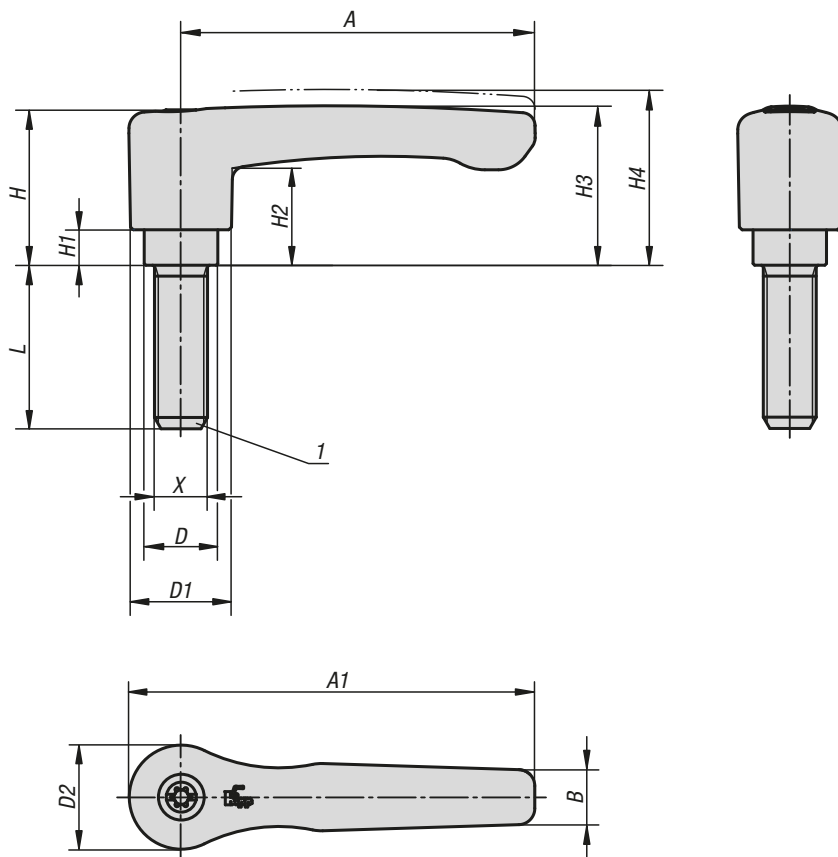


KIPP Clamping levers, flat with internal thread

Order No. black	Order No. orange RAL 2004	X	T	D	D1	D2	H	H1	H2	H3	H4	A	A1	B	No. of teeth
K0737.2061	K0737.2062	M6	12	13,5	18,5	19,1	28,5	6,5	17,8	29,2	32,2	65	74,5	10,1	20
K0737.2081	K0737.2082	M8	12	13,5	18,5	19,1	28,5	6,5	17,8	29,2	32,2	65	74,5	10,1	20
K0737.3081	K0737.3082	M8	14	16	21,2	22	37	10	23,8	38	42	80	91	11,7	22
K0737.3101	K0737.3102	M10	14	16	21,2	22	37	10	23,8	38	42	80	91	11,7	22

Clamping levers, flat

external thread



Material:

Handle die-cast zinc DIN EN 12844.
Steel parts grade 5.8.

Version:

Handle powder-coated.
Steel parts black oxidised.

Sample order:

K0737.2061X15 (include length L)

Note:

Standard colours are:
black satin finish, orange RAL 2004.

Where $L \geq 60$ mm the thread length is 60 mm.

On request:

Other threads, screw lengths, colours and special versions.

Dimension "H1" available in other lengths at extra charge.

Drawing reference:

1) flat point DIN EN ISO 4753



KIPP Specifications

Size	X	A	A1	B	D	D1	D2	H	H1	H2	H3	H4	No. of teeth
2	M6/M8/M10	65	74,5	10,1	13,5	18,5	19,1	28,5	6,5	17,8	29,2	32,2	20
3	M8/M10	80	91	11,7	16	21,2	22	37	10	23,8	38	42	22

KIPP Clamping levers, flat with external thread

Order No. black	Order No. orange RAL 2004	Size	X	L
K0737.2061X	K0737.2062X	2	M6	15/20/25/30/35/40/45/50/55/60
K0737.2081X	K0737.2082X	2	M8	15/20/25/30/35/40/45/50/55/60
K0737.2101X	K0737.2102X	2	M10	15/20/25/30/35/40/45/50/55/60
K0737.3081X	K0737.3082X	3	M8	15/20/25/30/35/40/45/50/55/60
K0737.3101X	K0737.3102X	3	M10	15/20/25/30/35/40/45/50/55/60