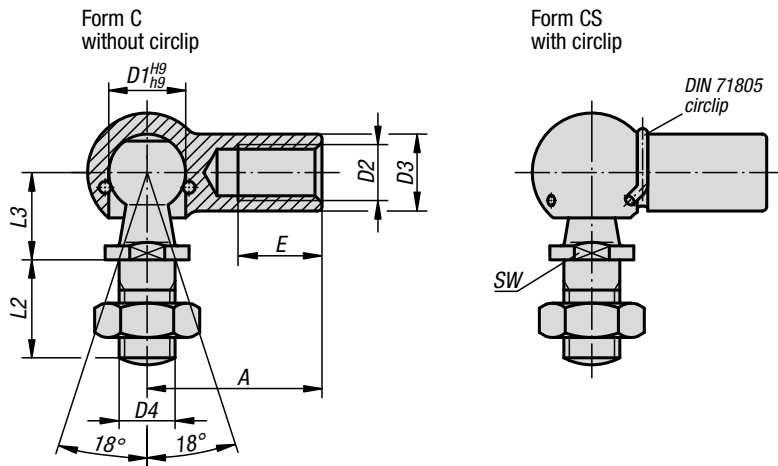


Ball joints

DIN 71802



Material:

Steel or 1.4305 stainless steel

Version:

Trivalent passivated.
Stainless steel version bright.

Sample order:

K0734.08051

Note:

LH thread refers to dimension D2.

KIPP Ball joints DIN 71802

Order No. RH thread	Order No. LH thread	Form	Main material	D1	D2	D3	D4	A	L2	L3	E	SW
K0734.0805	K0734.080501	C	steel	8	M5	8	M5	22	10,2	9	10,2	7
K0734.1006	K0734.100601	C	steel	10	M6	10	M6	25	12,5	11	11,5	8
K0734.1308	K0734.130801	C	steel	13	M8	13	M8	30	16,5	13	14	11
K0734.1610	K0734.161001	C	steel	16	M10	16	M10	35	20	16	15,5	13
K0734.1612	K0734.161201	C	steel	16	M12	16	M12	35	20	16	15,5	13
K0734.1914	K0734.191401	C	steel	19	M14x1,5	22	M14x1,5	45	28	20	21,5	16
K0734.1916	K0734.191601	C	steel	19	M16	22	M16	45	28	20	21,5	16
K0734.080351	-	CS	steel	8	M3,5	8	M4	18	10,2	9	8	7
K0734.08051	K0734.080511	CS	steel	8	M5	8	M5	22	10,2	9	10,2	7
K0734.10061	K0734.100611	CS	steel	10	M6	10	M6	25	12,5	11	11,5	8
K0734.13081	K0734.130811	CS	steel	13	M8	13	M8	30	16,5	13	14	11
K0734.16101	K0734.161011	CS	steel	16	M10	16	M10	35	20	16	15,5	13
K0734.16121	K0734.161211	CS	steel	16	M12	16	M12	35	20	16	15,5	13
K0734.19141	K0734.191411	CS	steel	19	M14x1,5	22	M14x1,5	45	28	20	21,5	16
K0734.19161	K0734.191611	CS	steel	19	M16	22	M16	45	28	20	21,5	16
K0734.08052	K0734.080521	CS	stainless steel	8	M5	8	M5	22	10,2	9	10,2	7
K0734.10062	K0734.100621	CS	stainless steel	10	M6	10	M6	25	12,5	11	11,5	8
K0734.13082	K0734.130821	CS	stainless steel	13	M8	13	M8	30	16,5	13	14	11
K0734.16102	K0734.161021	CS	stainless steel	16	M10	16	M10	35	20	16	15,5	13
K0734.16122	K0734.161221	CS	stainless steel	16	M12	16	M12	35	20	16	15,5	13