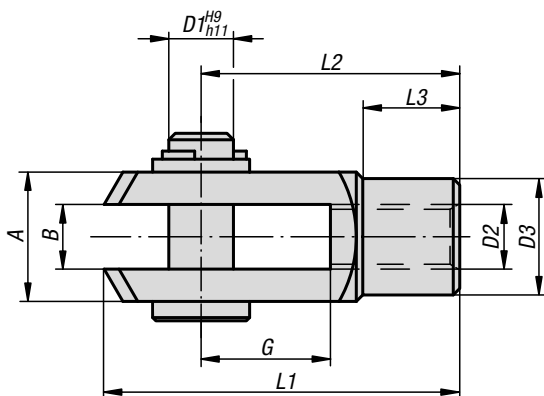


Clevis joints

DIN 71752



Material:

Steel.

Version:

Electro zinc-plated.

Sample order:

K0733.0510

KIPP Clevis joints DIN 71752

Order No.	Version 2	B	G	D1	D2	D3	L1	L2	L3	A
K0733.0510	RH thread	5	10	5	M5	9	26	20	7,5	10
K0733.0612	RH thread	6	12	6	M6	10	31	24	9	12
K0733.0816	RH thread	8	16	8	M8	14	42	32	12	16
K0733.0832	RH thread	8	32	8	M8	14	58	48	12	16
K0733.1020	RH thread	10	20	10	M10	18	52	40	15	20
K0733.10120	RH thread	10	20	10	M10x1,25	18	52	40	15	20
K0733.1040	RH thread	10	40	10	M10	18	72	60	15	20
K0733.10140	RH thread	10	40	10	M10x1,25	18	72	60	15	20
K0733.1224	RH thread	12	24	12	M12	20	62	48	18	24
K0733.12124	RH thread	12	24	12	M12x1,25	20	62	48	18	24
K0733.1248	RH thread	12	48	12	M12	20	86	72	18	24
K0733.12148	RH thread	12	48	12	M12x1,25	20	86	72	18	24
K0733.1428	RH thread	14	28	14	M14	24	72	56	22,5	27
K0733.1632	RH thread	16	32	16	M16	26	83	64	24	32
K0733.16132	RH thread	16	32	16	M16x1,5	26	83	64	24	32
K0733.05101	LH thread	5	10	5	M5	9	26	20	7,5	10
K0733.06121	LH thread	6	12	6	M6	10	31	24	9	12
K0733.08161	LH thread	8	16	8	M8	14	42	32	12	16
K0733.10201	LH thread	10	20	10	M10	18	52	40	15	20
K0733.12241	LH thread	12	24	12	M12	20	62	48	18	24
K0733.16321	LH thread	16	32	16	M16	26	83	64	24	32