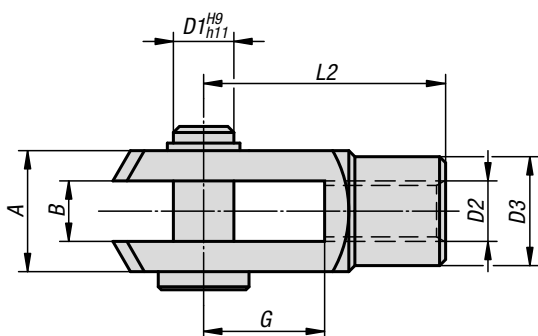


## Clevis joints stainless steel

DIN 71752



**Material:**  
Stainless steel 1.4305.

**Version:**  
Bright.

**Sample order:**  
K0732.0816

### KIPP Clevis joints stainless steel DIN 71752

Order No.	Version	B	G	D1	D2	D3	L2	A
K0732.0510	RH thread	5	10	5	M5	9	20	10
K0732.0612	RH thread	6	12	6	M6	10	24	12
K0732.0816	RH thread	8	16	8	M8	14	32	16
K0732.0832	RH thread	8	32	8	M8	14	48	16
K0732.1020	RH thread	10	20	10	M10	18	40	20
K0732.10120	RH thread	10	20	10	M10x1,25	18	40	20
K0732.1040	RH thread	10	40	10	M10	18	60	20
K0732.1224	RH thread	12	24	12	M12	20	48	24
K0732.12124	RH thread	12	24	12	M12x1,25	20	48	24
K0732.1248	RH thread	12	48	12	M12	20	72	24
K0732.12148	RH thread	12	48	12	M12x1,25	20	72	24
K0732.1428	RH thread	14	28	14	M14	24	56	27
K0732.1632	RH thread	16	32	16	M16	26	64	32
K0732.16132	RH thread	16	32	16	M16x1,5	26	64	32
K0732.05101	LH thread	5	10	5	M5	9	20	10
K0732.06121	LH thread	6	12	6	M6	10	24	12
K0732.08161	LH thread	8	16	8	M8	14	32	16
K0732.10201	LH thread	10	20	10	M10	18	40	20
K0732.12241	LH thread	12	24	12	M12	20	48	24
K0732.16321	LH thread	16	32	16	M16	26	64	32