

C-washers

DIN 6372 enhanced

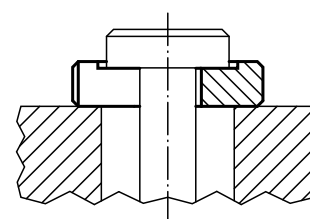
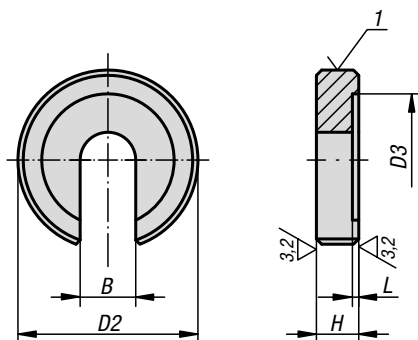


Material:
Carbon steel.

Version:
Tempered and black oxidised.

Sample order:
K0730.12

Drawing reference:
1) cross knurl



KIPP C-washers for fixtures DIN 6372 enhanced

Order No.	B	D2	D3	H	L
K0730.05	5,25	17	12	5	0,75
K0730.06	6,4	22	16	6	0,8
K0730.08	8,4	28	21	7	1
K0730.10	10,5	34	25	8	1,2
K0730.12	13	40	30	9	1,8
K0730.14	14,5	48	33	12	1,8
K0730.16	17	56	37	12	1,8
K0730.20	21	64	45	14	2
K0730.24	25	75	52	16	2
K0730.30	31	90	65	18	2
K0730.36	37	100	75	20	2,5