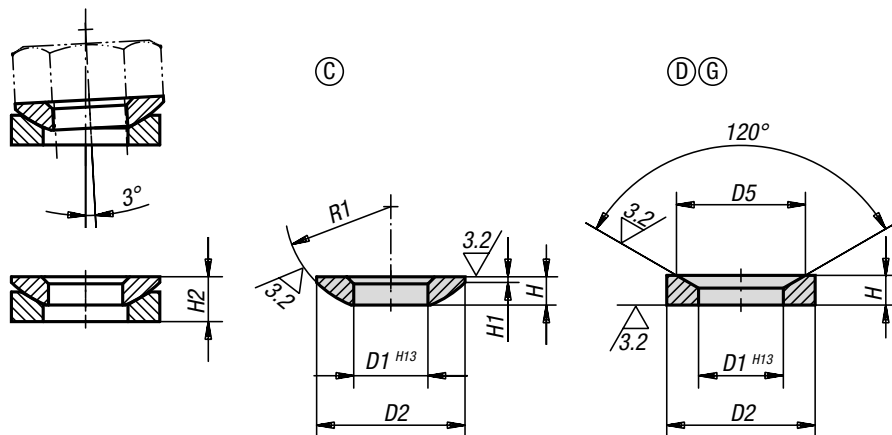


Spherical washers

DIN 6319, edition 10/01

**Material:**

Mild steel, Q&T steel or stainless steel.

Version:Mild steel, case hardened, manganese-phosphated.
Tempered steel (HV 390 ±40), manganese-phosphated.
Stainless steel, bright.**Sample order:**

K0729.216

Note:

Conical seat Form G should be used over slots.

Drawing reference:

Form C: spherical washer

Form D: conical seat

Form G: conical seat for slots

KIPP Spherical washers Form C, DIN 6319, edition 10/01

Order No. mild steel	Order No. stainless steel	Form	D1	D2	H	H1	R1	Load rating max. kN (static load only)
K0729.105	-	C	5,25	10,5	2	0,4	7,5	6,5
K0729.106	K0729.0106	C	6,4	12	2,3	0,7	9	9/6
K0729.108	K0729.0108	C	8,4	17	3,2	0,6	12	17/12
K0729.110	K0729.0110	C	10,5	21	4	0,8	15	26/16
K0729.112	K0729.0112	C	13	24	4,6	1,1	17	38/24
K0729.114	-	C	15	28	5	1,2	22	53
K0729.116	K0729.0116	C	17	30	5,3	1,3	22	73/45
K0729.120	K0729.0120	C	21	36	6,3	2	27	117/71
K0729.124	K0729.0124	C	25	44	8,2	2,4	32	168/105
K0729.130	K0729.0130	C	31	56	11,2	3,6	41	269/191
K0729.136	K0729.0136	C	37	68	14	4,6	50	394/-
K0729.142	K0729.0142	C	43	78	17	6,5	58	542/-
K0729.148	K0729.0148	C	50	92	21	8	67	714/-
K0729.156	-	C	58	103	23	9,5	79	960
K0729.164	-	C	66	120	27	12	93	1269

Spherical washers

DIN 6319, edition 10/01



KIPP Conical seats Form D, DIN 6319, edition 10/01

Order No. mild steel	Order No. stainless steel	Form	D1	D2	D5	H	H2	Load rating max. kN (static load only)
K0729.205	-	D	6	10,5	9,25	2,1	3,1	6,5
K0729.206	K0729.0206	D	7,1	12	11	2,8	4,2	9/6
K0729.208	K0729.0208	D	9,6	17	14,5	3,5	5,6	17/12
K0729.210	K0729.0210	D	12	21	18,5	4,2	6,5	26/16
K0729.212	K0729.0212	D	14,2	24	20	5	8	38/24
K0729.214	-	D	16,5	28	24,8	5,6	8,5	53
K0729.216	K0729.0216	D	19	30	26	6,2	9,5	73/45
K0729.220	K0729.0220	D	23,2	36	31	7,5	11,7	117/71
K0729.224	K0729.0224	D	28	44	37	9,5	15,2	168/105
K0729.230	K0729.0230	D	35	56	49	12	19,2	269/191
K0729.236	K0729.0236	D	42	68	60	15	23,5	394/-
K0729.242	K0729.0242	D	49	78	70	18	29	542/-
K0729.248	K0729.0248	D	56	92	82	22	35,5	714/-
K0729.256	-	D	65	103	92	25	39,7	960
K0729.264	-	D	75	120	110	30	46,5	1269

KIPP Conical seats Form G, DIN 6319 Edition 10/01

Order No. high carbon steel	Order No. stainless steel	Form	D1	D2	D5	H	H2	Load rating max. kN (static load only)
K0729.305	-	G	6	15	9,25	2,5	3,5	6,5
K0729.306	K0729.0306	G	7,1	17	11	4	5,4	9/6
K0729.308	K0729.0308	G	9,6	24	14,5	5	7,1	17/12
K0729.310	K0729.0310	G	12	30	18,5	5	7,3	26/16
K0729.312	K0729.0312	G	14,2	36	20	6	9	38/24
K0729.314	-	G	16,5	40	24,8	6	9,5	53
K0729.316	K0729.0316	G	19	44	26	7	10,4	73/45
K0729.320	K0729.0320	G	23,2	50	31	8	12,2	117/71
K0729.324	K0729.0324	G	28	60	37	10	15,7	168/105
K0729.330	K0729.0330	G	35	68	49	12	19,7	269/191
K0729.336	-	G	42	80	60	12	20,3	394