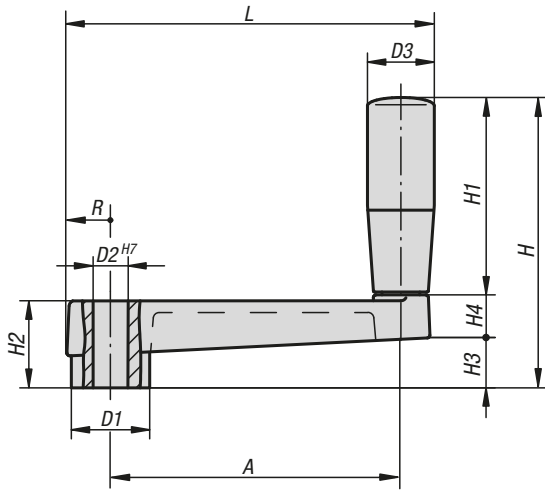


Crank handles aluminium



Material:
Aluminium.
Grip thermoplastic.

Version:
Arm powder-coated, black.
Grip black.

Sample order:
K0727.100



KIPP Crank handles aluminium

Order No.	A	D1	D2	D3	H	H1	H2	H3	H4	L	R
K0727.100	80	23	10	21	81	53	24	14	14	103,5	13
K0727.120	100	27	12	23	100	68	28	17	15	126,5	15
K0727.140	125	32	14	26	123	83	34	22	18	155,5	17,5

Notes

