

## Handwheels 2-spoke

plastic



**Material:**

Handwheel, reinforced and stabilised polyamide.  
Centre caps, polyamide.  
Centre bushes, steel.

**Version:**

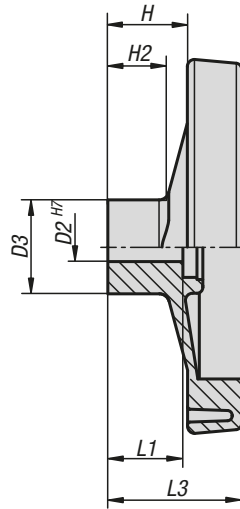
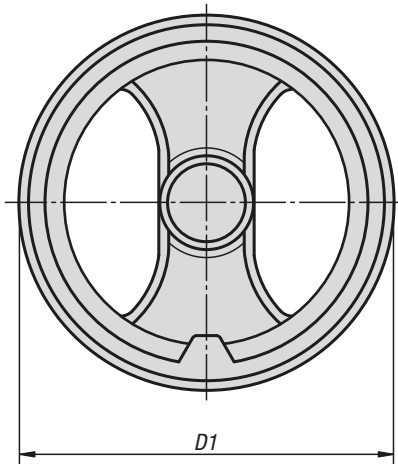
Handwheel, oil and grease resistant, black (RAL 9011), satin finish.  
Centre caps, grey (RAL 7035).  
Centre bushes, black oxidised.

**Sample order:**

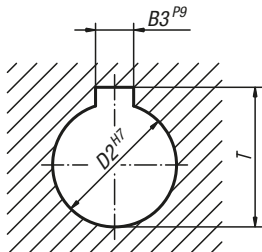
K0725.0080X08

**On request:**

Other cap colours.  
Special versions.



DIN 6885-1

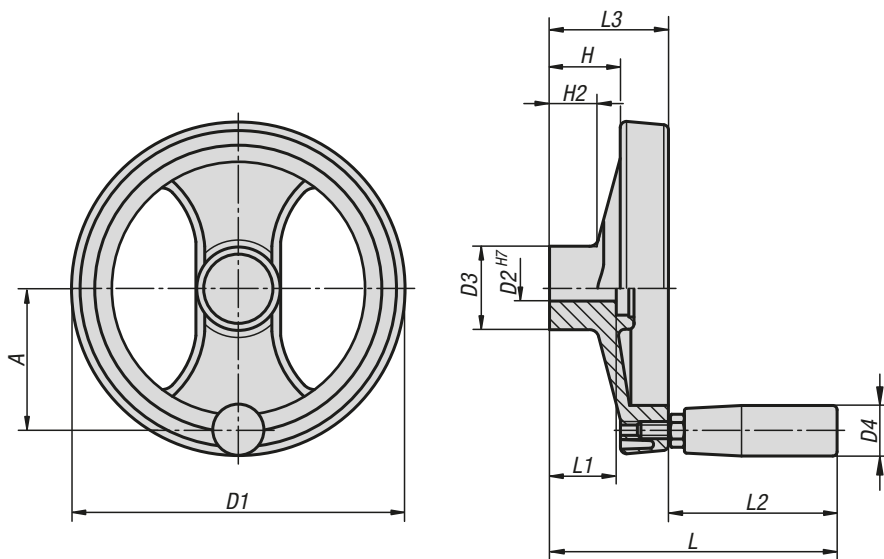


### KIPP Handwheels 2-spoke, plastic

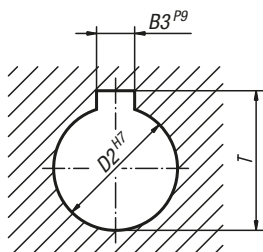
Order No. reamed hole	Order No. reamed hole with slot	D1	D2	D3	H	H2	L1	L3	B3	T
K0725.0080X08	K0725.1080X08	80	8H7	24,5	20	16	20	34	-/2	-/9
K0725.0080X10	K0725.1080X10	80	10H7	24,5	20	16	20	34	-/3	-/11,4
K0725.0100X10	K0725.1100X10	99	10H7	28	25,5	20	24	42	-/3	-/11,4
K0725.0100X12	K0725.1100X12	99	12H7	28	25,5	20	24	42	-/4	-/13,8
K0725.0130X12	K0725.1130X12	129	12H7	32	30	21	24	50	-/4	-/13,8
K0725.0130X14	K0725.1130X14	129	14H7	32	30	21	24	50	-/5	-/16,3
K0725.0160X14	K0725.1160X14	159	14H7	40	33	22	32	57	-/5	-/16,3
K0725.0160X16	K0725.1160X16	159	16H7	40	33	22	32	57	-/5	-/18,3
K0725.0200X16	K0725.1200X16	198	16H7	51	31	17,5	32	60	-/5	-/18,3
K0725.0200X20	K0725.1200X20	198	20H7	51	31	17,5	32	60	-/6	-/22,8
K0725.0250X20	K0725.1250X20	252	20H7	55,5	39,5	24	36	71	-/6	-/22,8
K0725.0250X24	K0725.1250X24	252	24H7	55,5	39,5	24	36	71	-/8	-/27,3
K0725.0345X20	K0725.1345X20	346	20H7	67,5	42	24	32	79	-/6	-/22,8

## Handwheels 2-spoke

plastic, with revolving grip



DIN 6885-1



### Material:

Handwheel, reinforced and stabilised polyamide.  
Centre caps, polyamide.  
Centre bushes, steel.  
Tapped insert for cylinder grip, brass.

### Version:

Handwheel, oil and grease resistant, black (RAL 9011), satin finish.  
Centre caps, grey (RAL 7035).  
Centre bushes, black oxidised.

### Sample order:

K0725.4080X08

### On request:

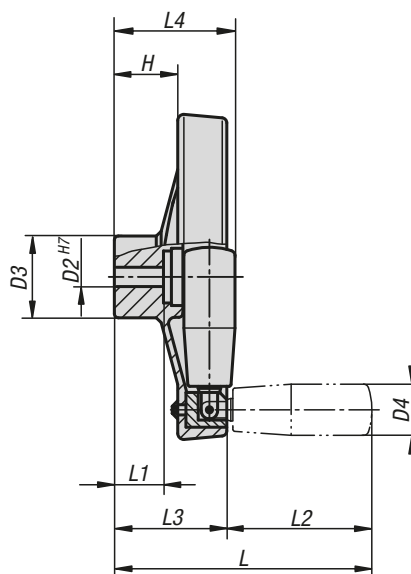
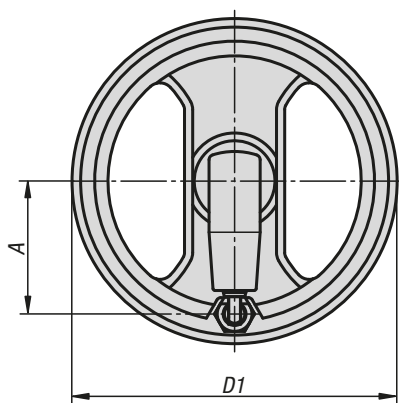
Other cap colours.  
Special versions.

## KIPP Handwheels 2-spoke, plastic, with revolving grip

Order No. reamed hole	Order No. reamed hole with slot	D1	D2	D3	D4	H	H2	A	L	L1	L2	L3	B3	T
K0725.4080X08	K0725.5080X08	80	8H7	24,5	20	20	16	30	85	20	51	34	-/2	-/9
K0725.4080X10	K0725.5080X10	80	10H7	24,5	20	20	16	30	85	20	51	34	-/3	-/11,4
K0725.4100X10	K0725.5100X10	99	10H7	28	20	25,5	20	38	93	24	51	43	-/3	-/11,4
K0725.4100X12	K0725.5100X12	99	12H7	28	20	25,5	20	38	93	24	51	43	-/4	-/13,8
K0725.4130X12	K0725.5130X12	129	12H7	32	23	30	21	55	112	24	62	50	-/4	-/13,8
K0725.4130X14	K0725.5130X14	129	14H7	32	23	30	21	55	112	24	62	50	-/5	-/16,3
K0725.4160X14	K0725.5160X14	159	14H7	40	23	33	22	66	119	32	62	57	-/5	-/16,3
K0725.4160X16	K0725.5160X16	159	16H7	40	23	33	22	66	119	32	62	57	-/5	-/18,3
K0725.4200X16	K0725.5200X16	198	16H7	51	26	31	17,5	82	141	32	81	60	-/5	-/18,3
K0725.4200X20	K0725.5200X20	198	20H7	51	26	31	17,5	82	141	32	81	60	-/6	-/22,8
K0725.4250X20	K0725.5250X20	252	20H7	55,5	27	39,5	24	113	163	36	92	71	-/6	-/22,8
K0725.4250X24	K0725.5250X24	252	24H7	55,5	27	39,5	24	113	163	36	92	71	-/8	-/27,3
K0725.4345X20	K0725.5345X20	346	20H7	67,5	27	42	24	146	171	32	92	79	-/6	-/22,8

# Handwheels 2-spoke

plastic, with folding grip



**Material:**

Handwheel, reinforced and stabilised polyamide.  
Centre caps, polyamide.  
Centre bush and tapped insert for cylinder grip, steel.

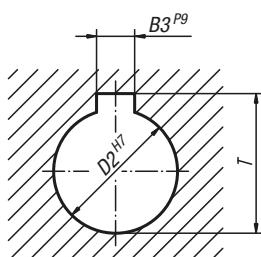
**Version:**

Handwheel, oil and grease resistant, black (RAL 9011), satin finish.  
Centre caps, grey (RAL 7035).  
Centre bush and taped insert for folding grip, black oxidised.

**Sample order:**  
K0725.6130X12

**On request:**  
Other cap colours.  
Special versions.

DIN 6885-1



## KIPP Handwheels 2-spoke, plastic, with folding grip

Order No. reamed hole	Order No. reamed hole with slot	D1	D2	D3	D4	A	H	L	L1	L2	L3	L4	B3	T
K0725.6130X12	K0725.7130X12	129	12H7	32	20	51	29	111	20	59	52	53	-/4	-/13,8
K0725.6130X14	K0725.7130X14	129	14H7	32	20	51	29	111	20	59	52	53	-/5	-/16,3
K0725.6160X14	K0725.7160X14	159	14H7	40	25	65	31	126	24	71	55	59	-/5	-/16,3
K0725.6160X16	K0725.7160X16	159	16H7	40	25	65	31	126	24	71	55	59	-/5	-/18,3
K0725.6200X16	K0725.7200X16	200	16H7	54,5	27	80	33	160	28	91	69	69	-/5	-/18,3
K0725.6200X20	K0725.7200X20	200	20H7	54,5	27	80	33	160	28	91	69	69	-/6	-/22,8
K0725.6345X20	K0725.7345X20	346	20H7	67,5	27	148	43,5	144	32	91	80	80	-/6	-/22,8