

Rod ends with plain bearing

internal thread, narrow version, DIN ISO 12240-4



Material:

Housing size (D) 6-10 turned steel.

From size (D) 12 forged steel.

Ball joint ball bearing steel, hardened, ground, polished and hard chromed.

Bearing shell ball bearing steel with PTFE weave glued in.

Version:

Electro zinc-plated.

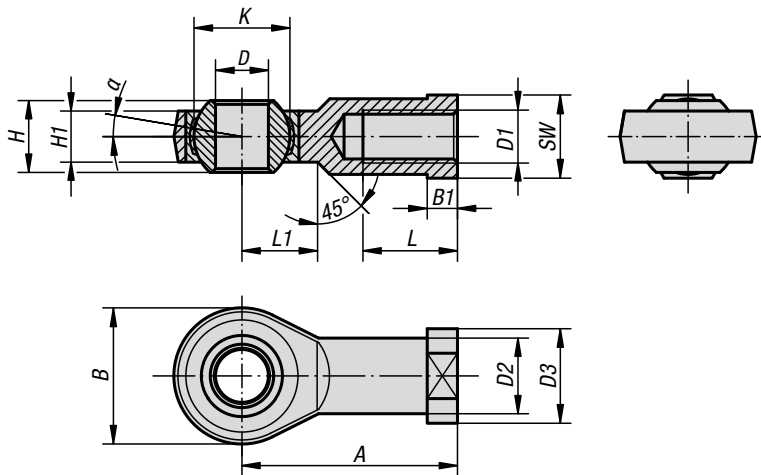
Sample order:

K0723.12

Note:

The rod end bearing is maintenance-free.

The connection dimensions comply with DIN 648 Form Series E.



KIPP Rod ends with plain bearing, internal thread, narrow version, DIN ISO 12240-4

Order No. LH thread	Order No. RH thread	D	D1	D2	D3	A	B	B1	H	H1	K	L	L1	SW	α	Dynamic base loads kN	Static base loads kN
K0723.101	K0723.10	10 -0,008	M10	15	19	43	28	6,5	9	7	16	20	13	17	12°	8,6	17,6
K0723.121	K0723.12	12 -0,008	M12	17,5	22	50	34	6,5	10	8	18	22	15	19	8°	11,4	24,5
K0723.121251	K0723.12125	12 -0,008	M12x1,25	17,5	22	50	34	6,5	10	8	18	22	15	19	8°	11,4	24,5
K0723.061	K0723.06	6 -0,008	M6	10	13	30	20	5	6	4,4	10	12	11	11	12°	3,6	8,2
K0723.081	K0723.08	8 -0,008	M8	12,5	16	36	24	5	8	6	13	16	12	14	12°	5,8	12,9
K0723.161	K0723.16	17 -0,008	M16	24	30	67	46	10	14	11	25	33	20	27	8°	22	45
K0723.101251	K0723.10125	10 -0,008	M10x1,25	15	19	43	28	6,5	9	7	16	20	13	17	12°	8,6	17,6
K0723.201	K0723.20	20 -0,010	M20x1,5	27,5	35	77	53	10	16	13	29	38	23	32	8°	31,5	60