

## Rod ends with plain bearing

external thread, narrow version, DIN ISO 12240-4



**Material:**

Housing size (D) 6-10 turned steel.

From size (D) 12 forged steel.

Ball joint ball bearing steel, hardened, ground, polished and hard chromed.

Bearing shell ball bearing steel with PTFE weave glued in.

**Version:**

Electro zinc-plated.

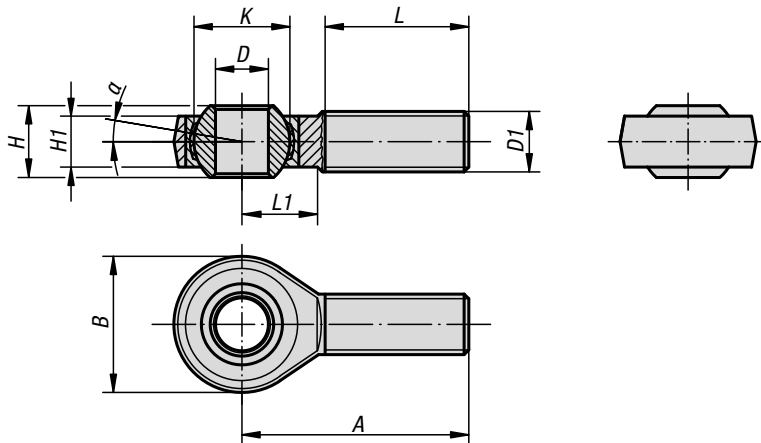
**Sample order:**

K0722.20

**Note:**

The rod end bearing is maintenance-free.

The connection dimensions comply with DIN 648 Form Series E.



### KIPP Rod ends with plain bearing, external thread, narrow version, DIN ISO 12240-4

Order No. RH thread	Order No. LH thread	D	D1	A	B	H	H1	K	L	L1	$\alpha$	Dynamic base loads kN	Static base loads kN
K0722.06	K0722.061	6 -0,008	M6	36	20	6	4,4	10	18	11	12°	3,6	8,2
K0722.08	K0722.081	8 -0,008	M8	42	24	8	6	13	22	12	12°	5,8	12,9
K0722.10	K0722.101	10 -0,008	M10	48	28	9	7	16	26	15	12°	8,6	17,6
K0722.12	K0722.121	12 -0,008	M12	54	34	10	8	18	28	15	8°	11,4	24,5
K0722.16	K0722.161	17 -0,008	M16	69	46	14	11	25	36	23	8°	22	45
K0722.20	K0722.201	20 -0,010	M20x1,5	78	53	16	13	29	43	25	8°	31,5	60