

Rod ends with plain bearing

external thread, stainless steel, DIN ISO 12240-4



Material:

Housing forged 1.4057 stainless steel.
Ball joint 1.4034 hardened and ground.
Bearing shell 1.4571 stainless steel.

Version:

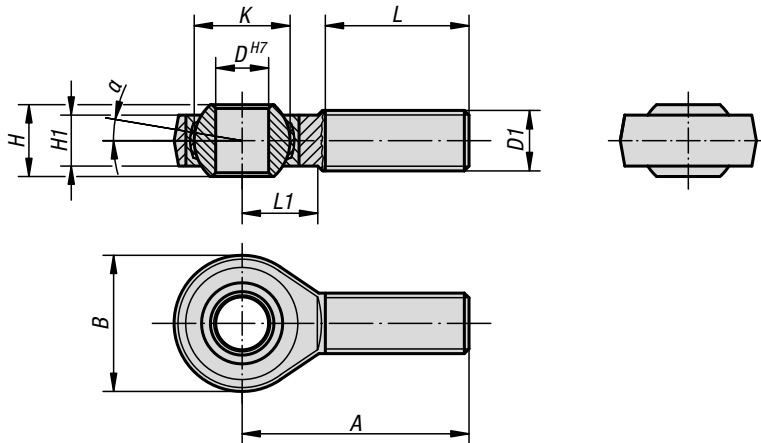
Polished.

Sample order:

K0720.20

Note:

The rod end bearing is maintenance-free.
The connection dimensions comply with DIN 648 Form Series KA.



KIPP Rod ends with plain bearing, external thread, stainless steel, DIN ISO 12240-4

Order No. RH thread	Order No. LH thread	D	D1	A	B	H	H1	K	L	L1	α	Dynamic base loads kN	Static base loads kN
K0720.05	K0720.051	5	M5	33	18	8	6	11,11	20	9	13°	7,5	6,2
K0720.06	K0720.061	6	M6	36	20	9	6,75	12,7	22	12	13°	9,3	8,8
K0720.08	K0720.081	8	M8	42	24	12	9	15,87	25	15	13°	16,7	16,1
K0720.10	K0720.101	10	M10	48	28	14	10,5	19,05	29	15	13°	23,4	25,5
K0720.12	K0720.121	12	M12	54	32	16	12	22,22	33	19	13°	32	34,5
K0720.16	K0720.161	16	M16	66	42	21	15	28,57	40	22	15°	52,7	60,6
K0720.20	K0720.201	20	M20x1,5	78	50	25	18	34,92	47	28	15°	78,1	83,1
K0720.22	K0720.221	22	M22x1,5	84	54	28	20	38,1	51	26	15°	97,2	99,7