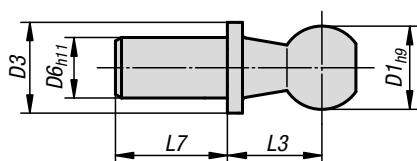


Ball studs for ball joints

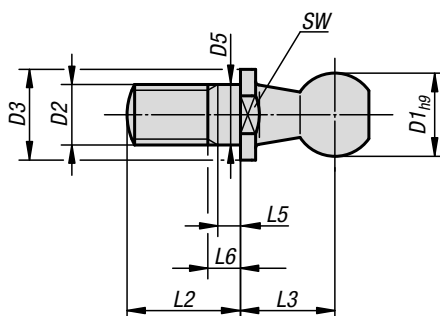
DIN 71803



Form B
with rivet pin



Form C
with thread and flats

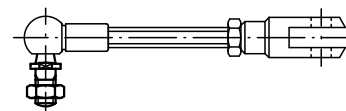


Material:
Steel.

Version:
Trivalent passivated.

Sample order:
K0713.1006

Note:
The ball studs are spare parts for DIN 71802 ball joints.



KIPP Ball studs for ball joints DIN 71803

Order No.	Form	Version 2	D1	D2	D3	D5	D6	L2	L3	L5 min.	L6 max.	L7	SW
K0713.0840	B	short	8	-	8	-	5	-	9	-	-	4	-
K0713.1045	B	short	10	-	10	-	6	-	11	-	-	4,5	-
K0713.1305	B	short	13	-	13	-	8	-	13	-	-	5	-
K0713.1606	B	short	16	-	16	-	10	-	16	-	-	6	-
K0713.0875	B	long version	8	-	8	-	5	-	9	-	-	7,5	-
K0713.1080	B	long version	10	-	10	-	6	-	11	-	-	8	-
K0713.1310	B	long version	13	-	13	-	8	-	13	-	-	10	-
K0713.1613	B	long version	16	-	16	-	10	-	16	-	-	13	-
K0713.1918	B	long version	19	-	19	-	14	-	20	-	-	18	-
K0713.0805	C	-	8	M5	8	5	-	10,2	9	1,2	4	-	7
K0713.1006	C	-	10	M6	10	6	-	12,5	11	1,2	4	-	8
K0713.1308	C	-	13	M8	13	8	-	16,5	13	1,5	5,3	-	11
K0713.1610	C	-	16	M10	16	10	-	20	16	2,5	7,3	-	13
K0713.1612	C	-	16	M12	16	12	-	20	16	2,5	7,3	-	13
K0713.1914	C	-	19	M14x1,5	19	14	-	28	20	5	10,8	-	16