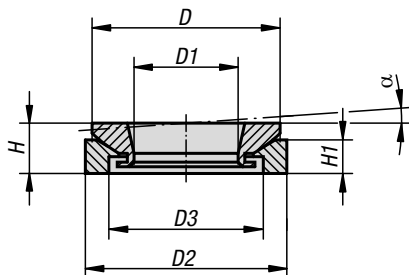


Spherical levelling washers



Material:

Steel 1.7225.
Stainless steel 1.4305.

Version:

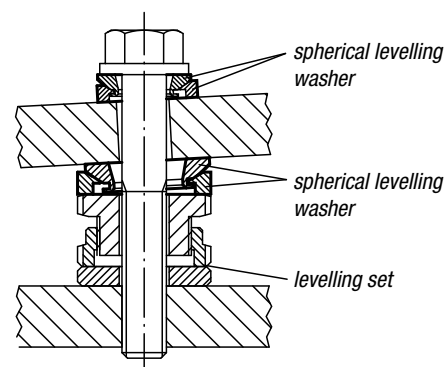
Steel trivalent blue passivated.
Stainless steel, bright.

Sample order:

K0691.401

Note:

Spherical levelling washers are for exact positioning when mounting up to 4° inclined surfaces. A second spherical levelling washer is recommended as support to correct the bolt angle if the angle of D3 is > 1°. The two washers cannot be detached from each other.



KIPP Spherical levelling washers

| Order No. steel | Order No. stainless steel | H | H1 | D | D1 | D2 | D3 | α |
|-----------------|---------------------------|------|-----|----|-----|----|----|----|
| K0691.151 | K0691.152 | 8 | 5,5 | 23 | 8,5 | 25 | 15 | 4° |
| K0691.201 | K0691.202 | 10 | 6,2 | 30 | 13 | 32 | 20 | 4° |
| K0691.301 | K0691.302 | 12,5 | 9 | 40 | 20 | 45 | 30 | 4° |
| K0691.401 | K0691.402 | 16 | 13 | 52 | 29 | 58 | 38 | 4° |
| K0691.501 | K0691.502 | 20 | 14 | 65 | 36 | 70 | 48 | 4° |