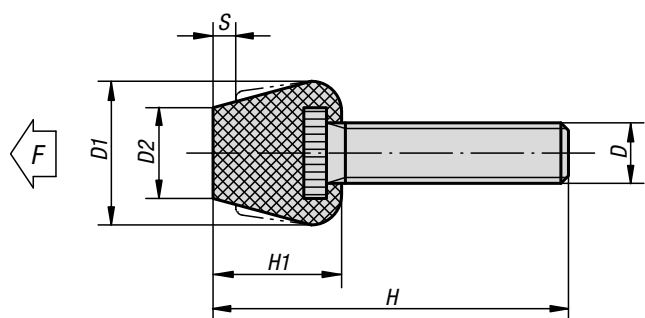


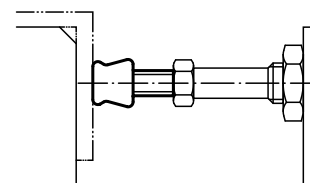
## Thrust screws neoprene



**Material:**  
Screw steel.  
Thrust pad neoprene.

**Version:**  
Neoprene pad moulded onto screw end.  
Screw copper-plated.

**Sample order:**  
K0690.08



### KIPP Thrust screws neoprene

Order No.	H	H1	D	D1	D2	S max.	F max. N
K0690.08	63	17	M8 x 46	19	12	3	750
K0690.081	43	17	M8 x 26	19	12	3	750
K0690.10	80	19	M10 x 61	19	14	3,5	1000
K0690.101	55	19	M10 x 36	19	14	3,5	1000