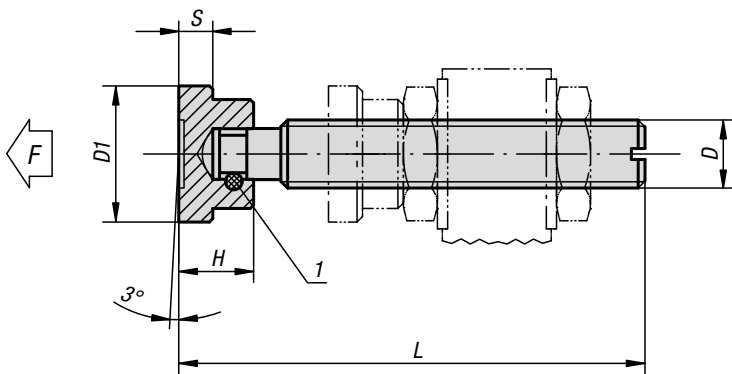


Thrust screws

with thrust pad



Material:
Screw and thrust pad steel.

Version:
Screw black.
Thrust pad black oxidised.
Screw pin and thrust pad case-hardened.

Sample order:
K0689.10X84

Drawing reference:
1) retaining pin

KIPP Thrust screws with thrust pad

Order No.	L	H	D	D1	S	F max. kN
K0689.06X52	52	7	M6	12	2,5	1
K0689.08X63	63	9	M8	16	4	2,3
K0689.10X84	84	11	M10	20	5	3,5
K0689.12X104	104	13	M12	25	6	4,6
K0689.14X105	105	14	M14	28	6	5
K0689.16X130	130	15	M16	32	7	6