

# Machine feet



**Material:**

Metal parts, steel grade 5.6.  
Elastomer, natural rubber,  
medium hardness, Shore 60.

**Version:**

Steel electro zinc-plated.

**Sample order:**

K0687.062060

**Note:**

These machine feet have proven themselves to be universally applicable elements for the elastic support of all types of machine. They are commonly used wherever large horizontal movements are to be avoided. The horizontal rigidity is higher in all directions than the vertical rigidity. If used correctly they are excellent at preventing the transfer of vibration and noise.

Machine feet with shear protection are available for situations where tensile forces are to be expected.

The indicated load data are reference values for static loads by rubber hardness of Shore 60A.

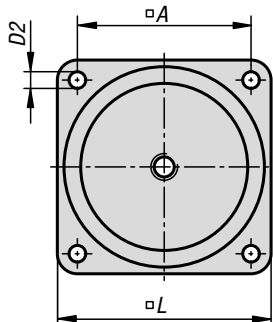
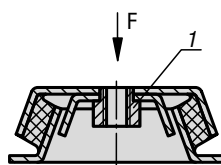
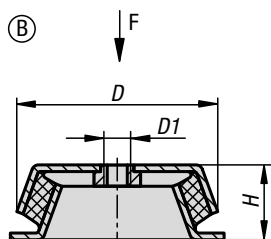
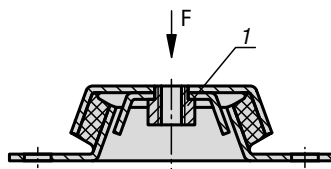
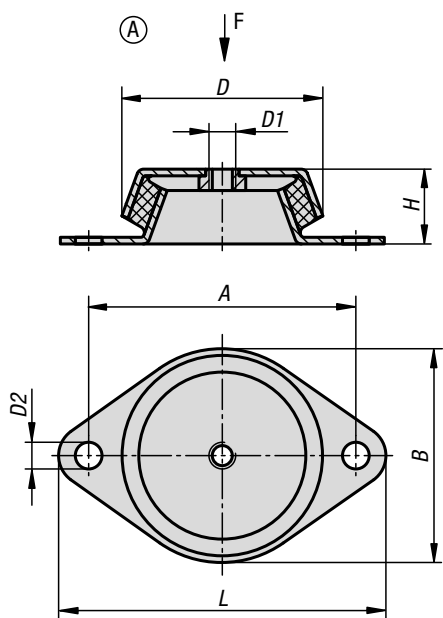
In contrast to those in the drawing, the holes D2 can also be elongated holes.

**On request:**

Rubber hardness Shore 40 or 70 A.

**Drawing reference:**

1) With shear protection



## KIPP Machine feet

| Order No.<br>without shear protection | Order No.<br>with tear protection | Form | A   | B   | D   | D1  | D2   | H  | L   | Load rating<br>max. kN |
|---------------------------------------|-----------------------------------|------|-----|-----|-----|-----|------|----|-----|------------------------|
| K0687.062060                          | K0687.062160                      | A    | 85  | 66  | 62  | M10 | 8,2  | 30 | 110 | 1,5                    |
| K0687.078060                          | K0687.078160                      | A    | 110 | 78  | 78  | M10 | 9    | 30 | 128 | 1,8                    |
| K0687.092060                          | K0687.092160                      | A    | 110 | 96  | 86  | M12 | 10,2 | 45 | 140 | 3                      |
| K0687.106060                          | K0687.106160                      | A    | 140 | 110 | 106 | M12 | 12,4 | 39 | 170 | 3,6                    |
| K0687.150060                          | K0687.150160                      | B    | 132 | -   | 150 | M16 | 12,5 | 51 | 168 | 8                      |