

Wing grips

for hexagon socket screws



Material:

Thermoplastic.

Version:

Black, grey or red.

Sample order:

K0681.0506 (wing grip colour red)

Colour code:

5 = grey

6 = red

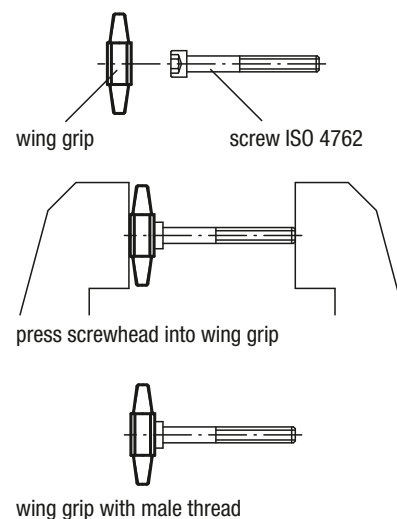
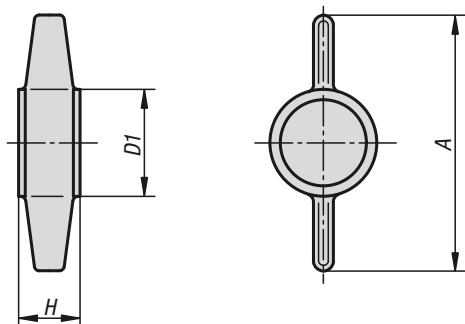
Δ Add the desired colour code here.

No colour code is required for black grips.

Note:

Suitable screws ISO 4762.

Δ Add the desired grip colour here. No colour code is required for black grips.



KIPP Wing grips for hexagon socket screws

Order No.	A	D1	H	for cap screws
K0681.050Δ	26	12	7	M5
K0681.060Δ	30	13,5	8	M6
K0681.080Δ	38	17	10	M8
K0681.100Δ	45	20	12,5	M10