

Levelling feet

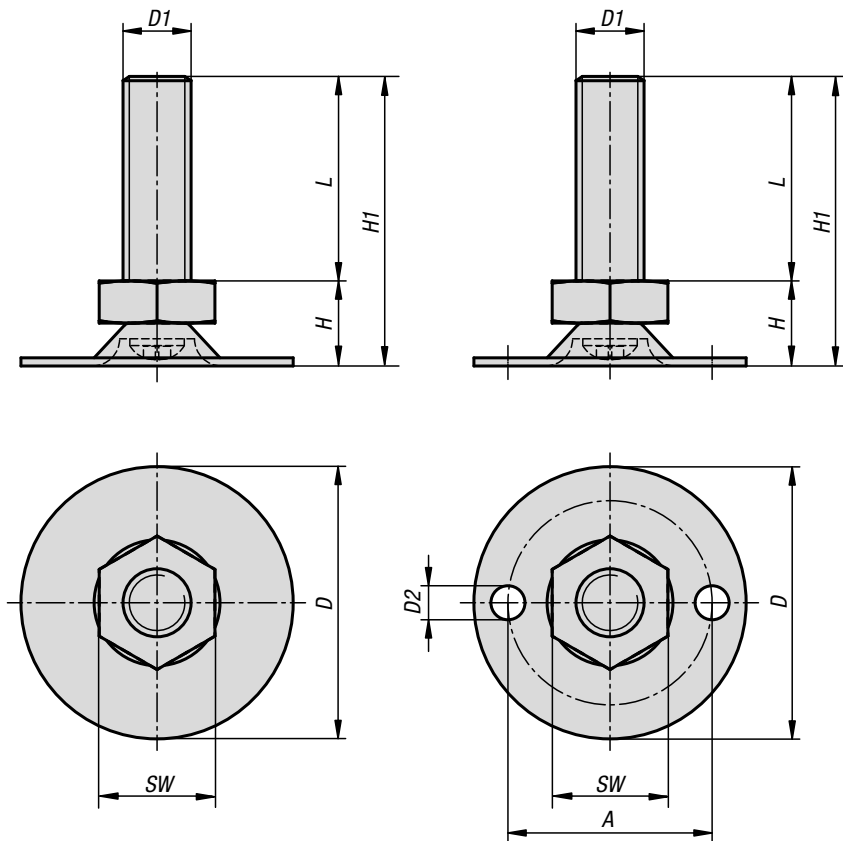


Material:
Foot plate and threaded spindle in steel.

Version:
Foot plate and threaded spindle electro zinc-plated.

Sample order:
K0678.03008X016
(include length L)

Note:
The threaded spindle is pressed into the rotatable base.



KIPP Levelling feet

Order No. without hole	Order No. with hole	A	D	D1	D2	H	H1	SW	L	Load rating max. kN (static load only)
K0678.03008X	K0678.13008X	-/24,3	30	M8	-/4	11	27/31/41/51/61	13	16/20/30/40/50	2,5
K0678.03010X	K0678.13010X	-/24,3	30	M10	-/4	12,5	28,5/32,5/42,5/52,5/62,5/72,5	17	16/20/30/40/50/60	3,5
K0678.04008X	K0678.14008X	-/30	40	M8	-/5	11	27/31/41/51/61	13	16/20/30/40/50	2,5
K0678.04010X	K0678.14010X	-/30	40	M10	-/5	11	27/31/41/51/61/71	17	16/20/30/40/50/60	3,5
K0678.05008X	K0678.15008X	-/35	50	M8	-/5,5	12,5	28,5/32,5/42,5/52,5/62,5	13	16/20/30/40/50	2,5
K0678.05010X	K0678.15010X	-/35	50	M10	-/5,5	14	30/34/44/54/64/74	17	16/20/30/40/50/60	3,5
K0678.06008X	K0678.16008X	-/46	60	M8	-/5,5	13,5	29,5/33,5/43,5/53,5/63,5	13	16/20/30/40/50	2,5
K0678.06010X	K0678.16010X	-/46	60	M10	-/5,5	15	31/35/45/55/65/75	17	16/20/30/40/50/60	3,5